

MIRROR SYSTEM[®]

by *ind.i.a.*

Per un design più moderno ed una resistenza maggiore!

ARTEFERRO INOX[®] ha realizzato la sua gamma di articoli lucidati a specchio proprio perchè la superficie più liscia di questo tipo di prodotti dona all' acciaio una resistenza di gran lunga maggiore agli agenti atmosferici ed alle micro polveri. Ideali per essere utilizzati in luoghi marittimi o centri città.

Such system was conceived for a more modern design and a better resistance.

ARTEFERRO INOX[®] conceived its range of mirror polished products since the smoother surface of the items belonging to such line gives the stainless steel a far better resistance to the weather and the microdusts. The mirror system is ideal to be used in costal areas or in town centers.



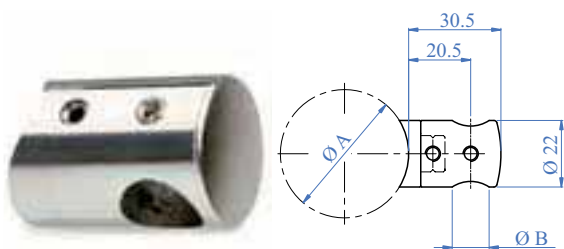
Dopo numerose prove svolte in collaborazione con i principali istituti di ricerca, Ind.i.a. spa consiglia l' utilizzo dei prodotti lucidati a specchio per applicazioni in ambiente salino (fino a 12 km dal mare)

Upon several tests effected with the collaboration of main institutes of research, IND.I.A. SPA recommends the use of mirror polished products in saline surroundings only (area within 12 km from the seaside).



Supporti Tondino - Round Bar Holders

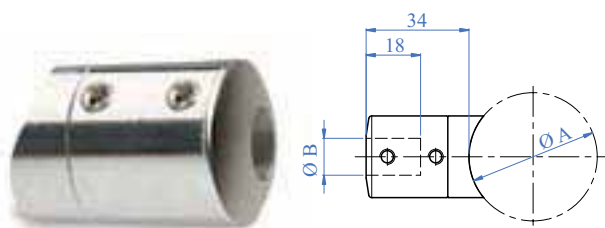
Composto in 2 pezzi con vite a grano
2 components, complete with set screws



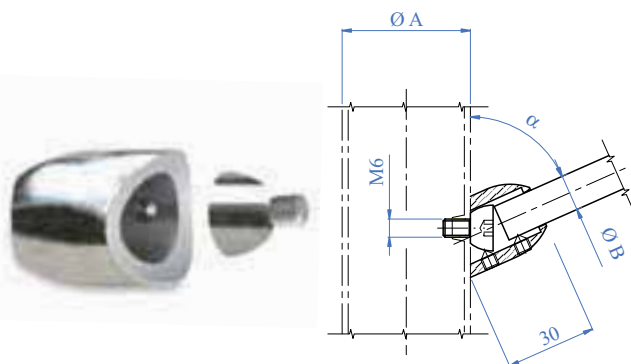
AISI 304	Cod. art. Art. no.	Per tubo For tube	A	Foro Hole	B
	X0069	Ø 42,4 mm - 1 2/3" dia. Ø 43,0 mm 1 11/16" dia.		Ø 12,2 mm passante - 1/2" dia. through	
	X006910	Ø 42,4 mm - 1 2/3" dia. Ø 43,0 mm - 1 11/16" dia.		Ø 10,2 mm passante - 13/32" dia. through	
	X006915	Ø 50,8 mm - 2" dia.		Ø 14,2 mm passante - 9/16" dia. through	

AISI 316	Cod. art. Art. no.	Per tubo For tube	A	Foro Hole	B
	X4042	Ø 42,4 mm - 1 2/3" dia. Ø 43,0 mm 1 11/16" dia.		Ø 12,2 mm passante - 1/2" dia. through	
	X006910316	Ø 42,4 mm - 1 2/3" dia. Ø 43,0 mm - 1 11/16" dia.		Ø 10,2 mm passante - 13/32" dia. through	
	X4040	Ø 50,8 mm - 2" dia.		Ø 14,2 mm passante - 9/16" dia. through	

A due componenti, completo di grani filettati
2 components, complete with set screws

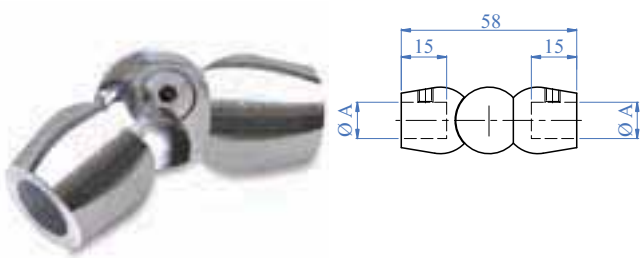


AISI 316	Cod. art. Art. no.	Per tubo For tube	A	Tondino Round bar	B
	X40650	Ø 42,4 mm - 1 2/3" dia.		Ø 12,2 mm - 1/2" dia.	



AISI 316	Cod. art. Art. no.	Per tubo For tube	A	Tondino Round bar	B	α°
	X0069991316	Ø 42,4 mm - 1 2/3" dia.		Ø 12,2 mm - 1/2" dia.		22-33

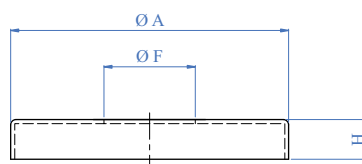
Giunzione Snodata per Tondino - Pivotal Round Bar Connector



AISI 316	Cod. art. Art. no.	Per tondino For round bar	A
	X0070316	Ø 12 mm 1/2" dia.	

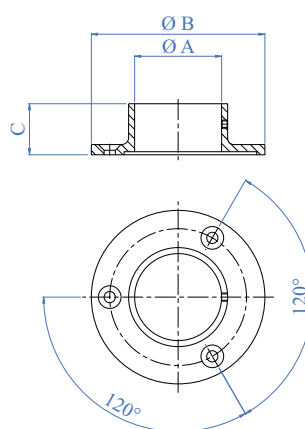
Copriflange - Flange Canopies

AISI 316	Cod. art.	Dimensioni	A	Foro	F	Altezza	H
	Art. no.	Dimensions		Hole		Height	
	X4072	Ø 105 mm 4 9/64" dia.		Ø 43 mm 1 11/16" dia.		15 mm 19/32"	
	X4072/43	Ø 105 mm 4 9/64" dia.		Ø 43,5 mm 1 11/16" dia.		15 mm 19/32"	
	X40731	Ø 105 mm 4 9/64" dia.		Ø 51,50 mm 1" dia.		15 mm 63/64"	



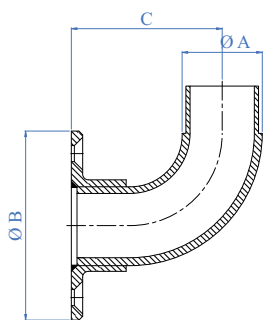
Ancoraggi per Corrimani - Anchorages for Handrails

AISI 316	Cod. art. Art. no.	Per tubo For tube	A	B	C
			X456	Ø 42,4 mm 1 2/3" dia.	Ø 84 mm 3 5/16 dia.



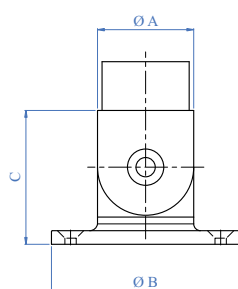
Ancoraggio Laterale - Lateral Anchorage

Curva flangiata
Curved elbow flange



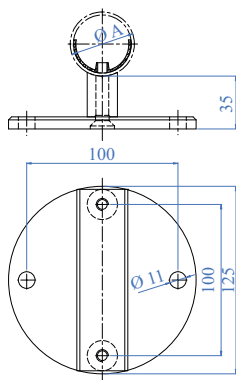
AISI 316	Cod. art. Art. no.	Per tubo For tube	A	B	C
	X4561	Ø 42,4 x 2,0 mm 1 2/3" dia. x 5/64"	Ø 84 mm 3 5/16" dia.	82 mm 3 15/64"	
	X4561/43	Ø 43,0 x 1,5 mm 1 11/16" dia. x 1/16"	Ø 84 mm 3 5/16" dia.	82 mm 3 15/64"	

Flangia con snodo
Adjustable tube holder



AISI 316	Cod. art. Art. no.	Per tubo For tube	A	B	C
	X4483	Ø 42,4 x 2,0 mm 1 2/3" dia. x 5/64"	Ø 83 mm 3 17/64" dia.	60 mm 2 23/64"	

Set composto da: piastra, distanziale e piastrina tubo
Set is complete with flange, spacers and tube plate



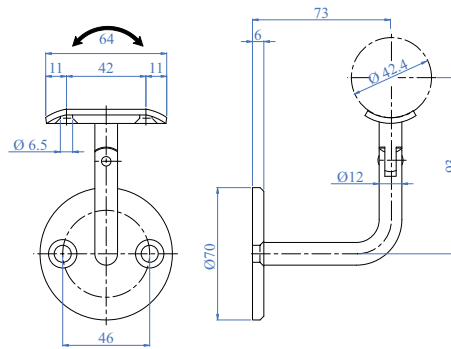
AISI 316	Cod. art. Art. no.	Per tubo For tube	A	Disco Disc
	X113316	Ø 42,4 x 2,0 mm 1 2/3" dia. x 5/64"	Ø 100 x 6 mm 3 15/16" dia. x 15/64"	
		Ø 43,0 x 1,5 mm 1 11/16" dia. x 1/16"	Ø 100 x 6 mm 3 15/16" dia. x 15/64"	



Reggicorrimano da Parete - Wall Handrail Support

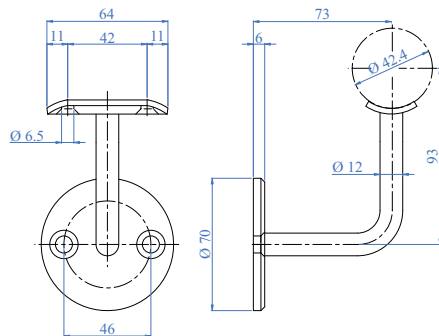
3 pezzi, piastra di ancoraggio Ø 70 x 6 mm angolare 75 x 75 mm, tondino Ø 12 mm
 3 pieces, complete with flange 2 3/4" dia. x 15/64" elbow 2 61/64" x 2 61/64", 1/2" dia.

AISI 316	Cod. art.	Per tubo
	Art. no.	For tube
	X02231316	Ø 42,4 mm - 1 2/3" dia. Ø 43,0 mm 1 11/16" dia.



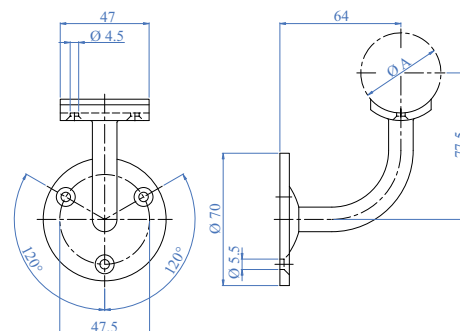
3 pezzi, piastra di ancoraggio Ø 70 x 6 mm angolare 75 x 75 mm, tondino Ø 12 mm
 3 pieces, complete with flange 2 3/4" dia. x 15/64" elbow 2 61/64" x 2 61/64", 1/2" dia.

AISI 316	Cod. art.	Per tubo
	Art. no.	For tube
	X0223316	Ø 42,4 mm - 1 2/3" dia. Ø 43,0 mm 1 11/16" dia.



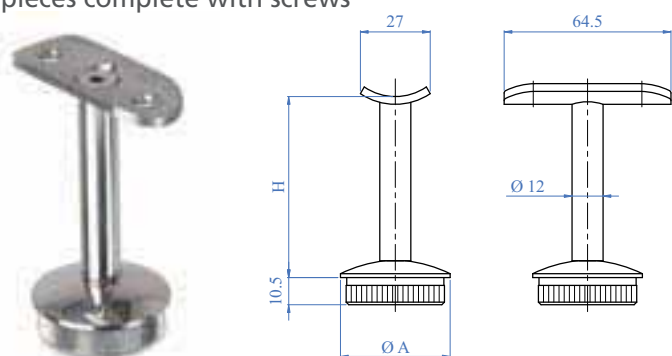
Con piastra bombata Ø 70 x 6 mm
 With rounded flange 2 3/4" dia.

AISI 316	Cod. art.	Per tubo
	Art. no.	For tube A
	X459	Ø 42,4 mm - 1 2/3" dia. Ø 43,0 mm 1 11/16" dia.



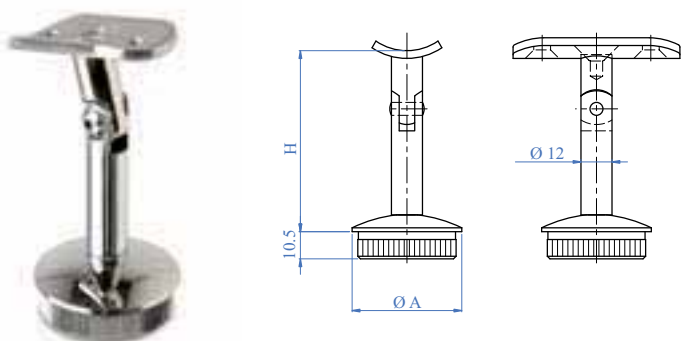
Reggicorrimano - Wall Handrail Support

3 pezzi, completo di viti
3 pieces complete with screws



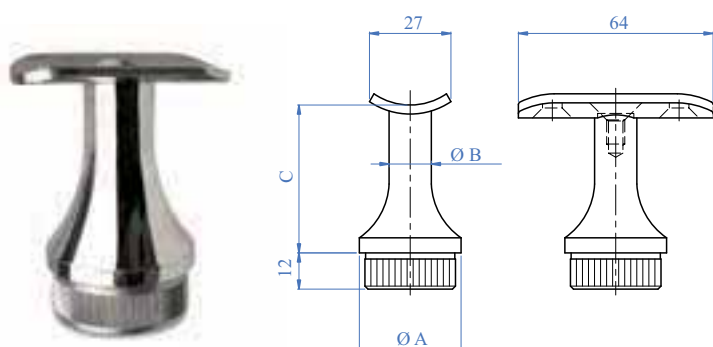
AISI 316	Cod. art. Art. no.	Altezza Height H	Per tubo For tube A
	X031/S1316	75 mm 2 61/64"	Ø 42,4 x 2,0 mm 1 2/3" dia. x 5/64"
	X031/S1316/43	75 mm 2 61/64"	Ø 43,0 x 1,5 mm 1 11/16" dia. x 1/16"

3 pezzi, completo di viti
3 pieces complete with screws



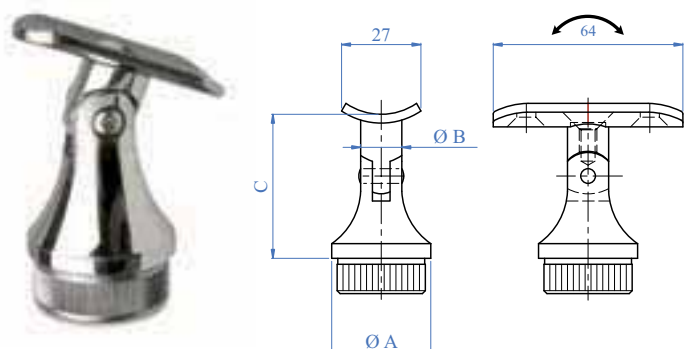
AISI 316	Cod. art. Art. no.	Altezza Height H	Per tubo For tube A
	X030/S316	75 mm 2 61/64"	Ø 42,4 x 2,0 mm 1 2/3" dia. x 5/64"
	X030/S316/43	75 mm 2 61/64"	Ø 43,0 x 1,5 mm 1 11/16" dia. x 1/16"

Rigido, con piastra di collegamento tubo
Rigid, complete with mounting plate



AISI 316	Cod. art. Art. no.	Per tubo For tube	A	B	C
	X0102316	Ø 42,4 x 2,0 mm 1 2/3" dia. x 5/64"	Ø 20 mm 3/4" dia.	58 mm 2 9/32"	
	X0102316/43	Ø 43,0 x 1,5 mm 1 11/16" dia. x 1/16"	Ø 20 mm 3/4" dia.	58 mm 2 9/32"	

Snodato, con piastra di collegamento tubo
Pivotable, complete with mounting plate

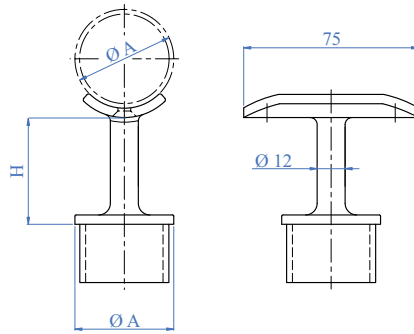


AISI 316	Cod. art. Art. no.	Per tubo For tube	A	B	C
	X0104316	Ø 42,4 x 2,0 mm 1 2/3" dia. x 5/64"	Ø 20 mm 3/4" dia.	58 mm 2 9/32"	
	X0104316/43	Ø 43,0 x 1,5 mm 1 11/16" dia. x 1/16"	Ø 20 mm 3/4" dia.	58 mm 2 9/32"	

Reggicorrimano - Wall Handrail Support

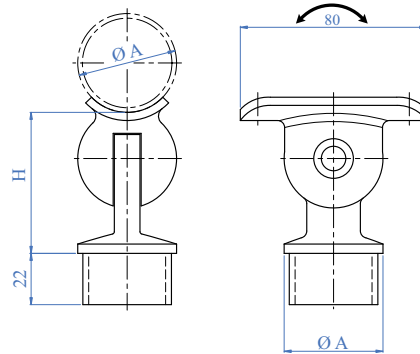
Rigido
Rigid

AISI 316	Cod. art. Art. no.	Altezza Height	H	Per tubo For tube	A
	X458	60 mm 2 23/64"		Ø 42,4 x 2,0 mm 1 2/3" dia. x 5/64"	
	X458/43	60 mm 2 23/64"		Ø 43,0 x 1,5 mm 1 11/16" dia. x 1/16"	



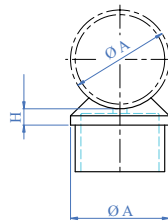
Snodato
Pivotable

AISI 316	Cod. art. Art. no.	Altezza Height	H	Per tubo For tube	A
	X4581	60 mm 2 23/64"		Ø 42,4 x 2,0 mm 1 2/3" dia. x 5/64"	
	X4581/43	60 mm 2 23/64"		Ø 43,0 x 1,5 mm 1 11/16" dia. x 1/16"	

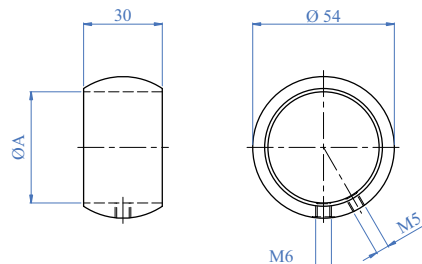


Adattatore lucido per tubo
Mirror polished adapter for tube

AISI 316	Cod. art. Art. no.	Altezza Height	H	Per tubo For tube	A
	X454	6 mm 1/4"		Ø 42,4 x 2,0 mm 1 2/3" dia. x 5/64"	
	X454/43	6 mm 1/4"		Ø 43,0 x 1,5 mm 1 11/16" dia. x 1/16"	

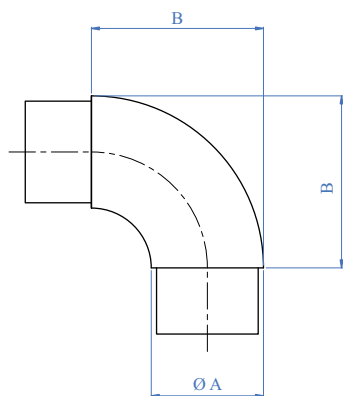


AISI 316	Cod. art. Art. no.	Per tubo For tube	A
	X468/424	Ø 42,4 x 2,0 mm 1 2/3" dia. x 5/64"	
	X468/43	Ø 43,0 x 1,5 mm 1 11/16" dia. x 1/16"	



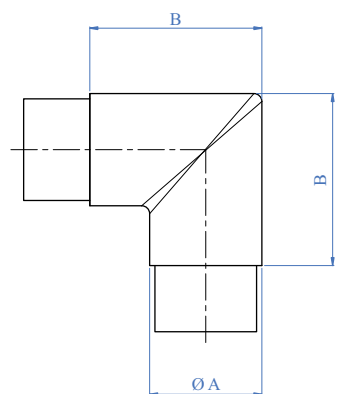
Connettori per Tubo - Tube Fittings

Curva 90°
90° elbow



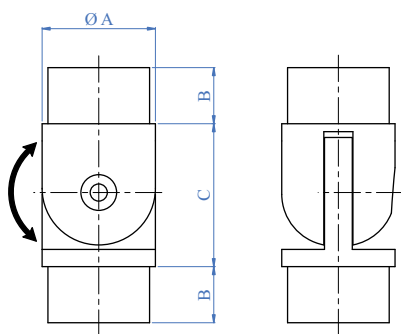
AISI 316	Cod. art.	Per tubo	A	B
	Art. no.	For tube		
	X450	Ø 42,4 x 2,0 mm 1 2/3" dia. x 5/64"	65 mm 2 9/16"	
	X450/43	Ø 43,0 x 1,5 mm 1 11/16" dia. x 1/16"	65 mm 2 9/16"	

90° ad angolo
90° angle



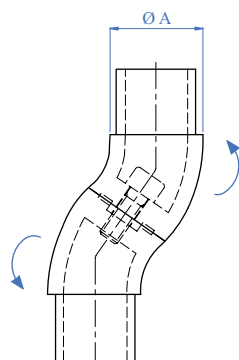
AISI 316	Cod. art.	Per tubo	A	B
	Art. no.	For tube		
	X451	Ø 42,4 x 2,0 mm 1 2/3" dia. x 5/64"	65 mm 2 9/16"	
	X451/43	Ø 43,0 x 1,5 mm 1 11/16" dia. x 1/16"	65 mm 2 9/16"	

Giunzione snodata
Pivotable connector

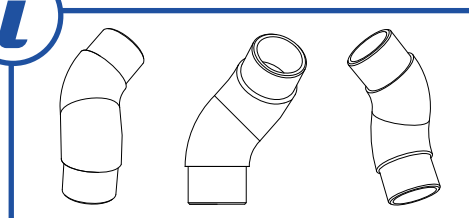


AISI 316	Cod. art.	Per tubo	A	B	C
	Art. no.	For tube			
	X446	Ø 42,4 x 2,0 mm 1 2/3" dia. x 5/64"	Ø 22 mm 55/64" dia.	53 mm 2 5/64"	
	X446/43	Ø 43,0 x 1,5 mm 1 11/16" dia. x 1/16"	Ø 22 mm 55/64" dia.	53 mm 2 5/64"	

Giunzione regolabile
Articulated elbow



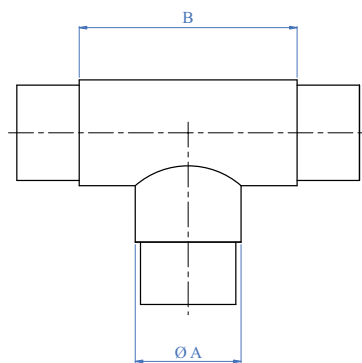
AISI 316	Cod. art.	Per tubo	A
	Art. no.	For tube	
	X4471	Ø 42,4 x 2,0 mm 1 2/3" dia. x 5/64"	
	X4471/43	Ø 43,0 x 1,5 mm 1 11/16" dia. x 1/16"	



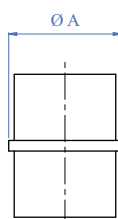
Connettori per Tubo - Tube Fittings

Raccordo a "T"
3-Way flush "T"

AISI 316	Cod. art.	Per tubo	A	B
	Art. no.	For tube		
	X453	Ø 42,4 x 2,0 mm 1 2/3" dia. x 5/64"	87 mm 3 7/16"	
	X453/43	Ø 43,0 x 1,5 mm 1 11/16" dia. x 1/16"	87 mm 3 7/16"	



AISI 316	Cod. art.	Per tubo	A
	Art. no.	For tube	
	X455	Ø 42,4 x 2,0 mm 1 2/3" dia. x 5/64"	
	X455/43	Ø 43,0 x 1,5 mm 1 11/16" dia. x 1/16"	

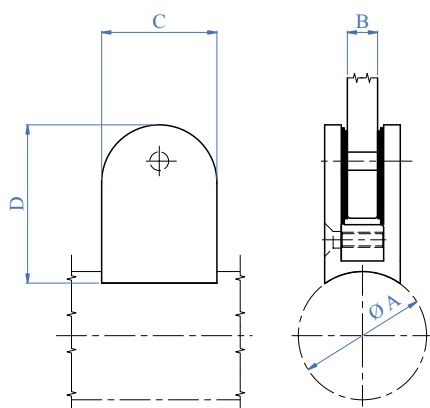


Supporti per Vetro - Glass Clamp Supports

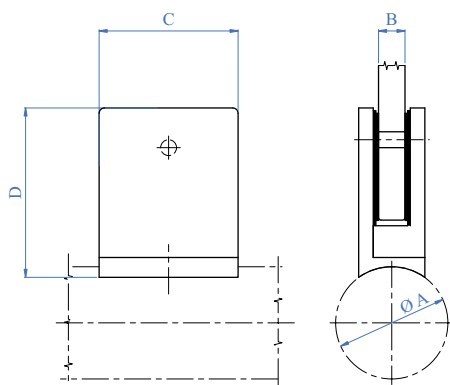
Con spina di sicurezza ed inserti in gomma
With locking pin and protective plastic washers



AISI 316	Cod. art. Art. no.	Dimensioni Dimensions C x D	Per tubo For tube A	Spessore vetro Glass thk. B
	X009	43 x 64 mm 1 11/16" x 2 33/64"	Ø 42,4 mm 1 2/3" dia. Ø 43,0 mm 1 11/16" dia.	8 - 8,76 e 10 mm 5/16" - 11/32" and 3/8"
	X00912	38 x 49 mm 1 11/16" x 2 33/64"	Ø 42,4 mm 1 2/3" dia. Ø 43,0 mm 1 11/16" dia.	8 - 8,76 e 10 mm 5/16" - 11/32" and 3/8"
	X00911	38 x 49 mm 1 11/16" x 2 33/64"	Superficie piana Flat face	8 - 8,76 e 10 mm 5/16" - 11/32" and 3/8"
	X0091	43 x 64 mm 1 11/16" x 2 33/64"	Superficie piana Flat face	8 - 8,76 e 10 mm 5/16" - 11/32" and 3/8"
	X00960	43 x 64 mm 1 11/16" x 2 33/64"	Ø 42,4 mm 1 2/3" dia.	10 - 10,76 e 12 mm 3/8" - 27/64" and 1/2"
	X00962	43 x 64 mm 1 11/16" x 2 33/64"	Superficie piana Flat face	10 - 10,76 e 12 mm 3/8" - 27/64" and 1/2"



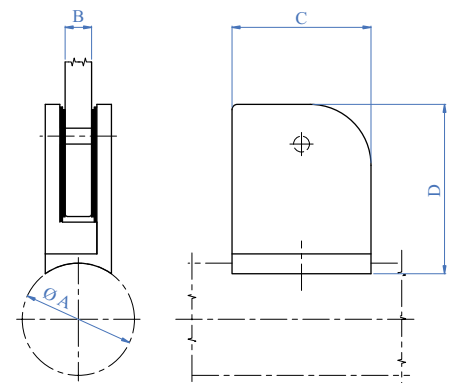
AISI 316	Cod. art. Art. no.	Dimensioni Dimensions C x D	Per tubo For tube A	Spessore vetro Glass thk. B
	X0092	53 x 53 mm 2 3/64" x 2 3/64"	Ø 42,4 mm 1 2/3" dia. x 5/64" Ø 43,0 mm 1 11/16" dia. x 1/16"	8 e 10 mm 5/16" and 3/8"
	X00921	43 x 43 mm 1 11/16" x 1 11/16"	Ø 42,4 mm 1 2/3" dia. x 5/64"	8 e 10 mm 5/16" and 3/8"
	X00931	43 x 43 mm 1 11/16" x 1 11/16"	Superficie piana Flat face	8 e 10 mm 5/16" and 3/8"



Supporti per Vetro - Glass Clamp Supports

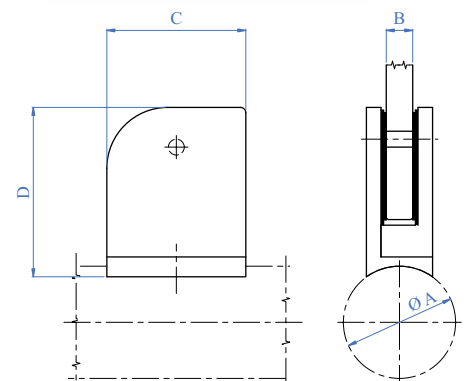
Con spina di sicurezza ed inserti in gomma Sinistro
With locking pin and protective plastic washers. Left

AISI 316	Cod. art. Art. no.	Dimensioni Dimensions C x D	Per tubo For tube A	Spessore vetro Glass thk. B
	X00950	52 x 64 mm 2 3/64" x 2 33/64"	Ø 42,4 mm sx 1 2/3" dia. left Ø 43,0 mm sx 1 11/16" dia. left	8 - 8,76 e 10 mm 5/16" - 11/32" and 3/8"

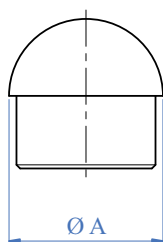


Con spina di sicurezza ed inserti in gomma Destro
With locking pin and protective plastic washers. Right

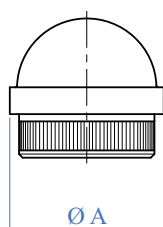
AISI 316	Cod. art. Art. no.	Dimensioni Dimensions C x D	Per tubo For tube A	Spessore vetro Glass thk. B
	X00955	52 x 64 mm 2 3/64" x 2 33/64"	Ø 42,4 mm dx 1 2/3" dia. right Ø 43,0 mm dx 1 11/16" dia. right	8 - 8,76 e 10 mm 5/16" - 11/32" and 3/8"



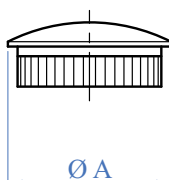
Terminali - End Caps

Vuoto
Hollow inside

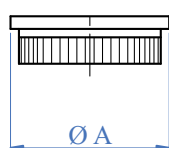
AISI 316	Cod. art. Art. no.	Per tubo For tube	A
	X465	Ø 42,4 x 2,0 mm 1 2/3" dia. x 5/64"	
	X465/43	Ø 43,0 x 1,5 mm 1 11/16" dia. x 1/16"	

Massicci con zigrinatura e semisfera più piccola
Solid series with knurling and smaller semisphere

AISI 316	Cod. art. Art. no.	Per tubo For tube	A
	X011316	Ø 42,4 x 2,0 mm 1 2/3" dia. x 5/64"	
	X011316/43	Ø 43,0 x 1,5 mm 1 11/16" dia. x 1/16"	
	X011316/50	Ø 50,8 x 1,5 mm 2" dia. x 1/16"	

Con zigrinatura
With knurling

AISI 316	Cod. art. Art. no.	Per tubo For tube	A
	X0119316	Ø 42,4 x 2,0 mm 1 2/3" dia. x 5/64"	
	X0119316/43	Ø 43,0 x 1,5 mm 1 11/16" dia. x 1/16"	
	X0119316/50	Ø 50,8 x 1,5 mm 2" dia. x 1/16"	

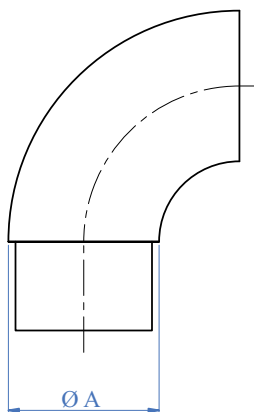
Con zigrinatura
With knurling

AISI 316	Cod. art. Art. no.	Per tubo For tube	A
	X01151316	Ø 42,4 x 2,0 mm 1 2/3" dia. x 5/64"	
	X01151316/43	Ø 43,0 x 1,5 mm 1 11/16" dia. x 1/16"	
	X01151616/50	Ø 50,8 x 1,5 mm 2" dia. x 1/16"	



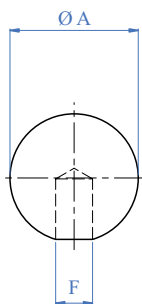
Terminali - End Caps

Curvato 90°, piatto
Bent 90°, flat,



AISI 316	Cod. art. Art. no.	Per tubo For tube	A
	X452	Ø 42,4 x 2,0 mm 1 2/3" dia. x 5/64"	

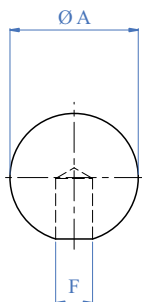
Sfere piene con foro - Hollow Sphere Finials



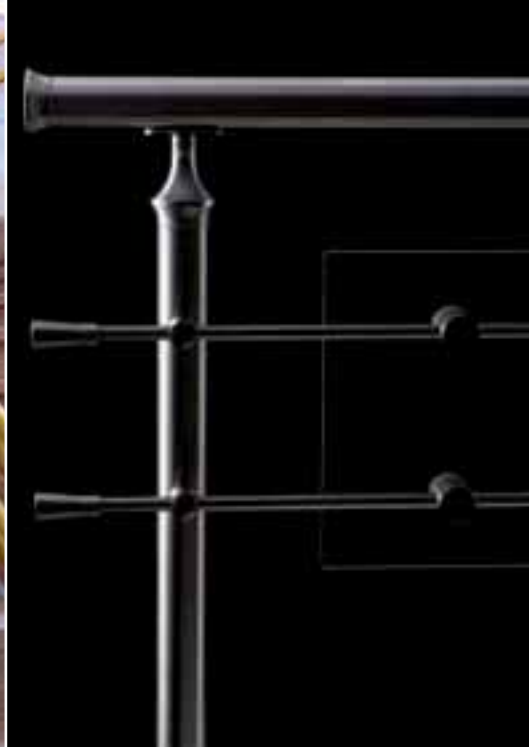
AISI 316	Cod. art. Art. no.	Dimensioni Dimensions	A	Foro Hole	F
	X4308	Ø 25 mm foro cieco 1" dia. blind hole		Ø 12,2 mm 1/2" dia.	
	X4309	Ø 25 mm foro cieco 1" dia. blind hole		Ø 14,2 mm 9/16" dia.	
	X4311	Ø 25 mm foro passante 1" dia. hole		Ø 12,2 mm 1/2" dia.	
	X4312	Ø 25 mm foro passante 1" dia. hole		Ø 14,2 mm 9/16" dia.	

Sfere vuote - Hollow Sphere Finials

Sfere vuote con inserto filettato
Hollow spheres, with threaded inserts



AISI 316	Cod. art. Art. no.	Dimensioni Dimensions	A	Filetto Thread
	E0701/HP	Ø 30 mm - 1 3/16" dia.		M6
	E0702/HP	Ø 30 mm - 1 9/16" dia.		M6
	E071/HP	Ø 60 mm - 2 23/64" dia.		M8
	E072/HP	Ø 70 mm - 2 3/4" dia.		M8
	E073/HP	Ø 80 mm - 5 5/32" dia.		M8
	E074/HP	Ø 90 mm - 5 5/32" dia.		M8
	E075/HP	Ø 100 mm - 5 15/16" dia.		M10
	E076/HP	Ø 120 mm - 5 15/16" dia.		M10



ind.i.a.[®] S. P. A.

INDUSTRIA ITALIANA ARTEFERRO

VIA VICENZA, 6/14

36034 MALO (VICENZA) ITALIA

TELEFONO (+39) 0445 580 580

FAX (+39) 0445 580 874

E-mail:india@arteferro.com

www.ironews.com - www.ilgrandefabbro.com

www.arteferro.com



indital[®]

7947 MESA ROAD - HOUSTON
TEXAS 77028 - U.S.A.
PHONE: (+1) (713) 694-6065 / 1-800-772-4706
FAX: (+1) (713) 694-2055
www.indital.com - forgings@indital.com

U.S.A.

ARTEFERRO Miami LLC.

2955 N.W. 75th STREET
MIAMI, FLORIDA 33147 - USA
PHONE: (+1) (305) 836-9232 / 1-877-723-6743
FAX: (+1) (305) 836-4113
www.arteferromiami.com info@arteferromiami.com

U.S.A.

ARTEFERROSUD S.R.L.

Via Piana Alvanella 83024 MONTEFORTE IRPINO (AV)
Tel. (+39) 0825 68 00 81
Fax (+39) 0825 68 34 98
(Per Campania - Puglia - Calabria - Basilicata - Molise)
www.arteferrosud.it info@arteferrosud.it

ITALY

ind.i.a.

Z.A.E. LA BAUME RN 113 - 34290 SERVIAN FRANCE
TEL (+33) (0) 4.67.39.42.81 (lignes groupées)
Fax (+33) (0) 4.67.39.20.90
www.franceindia.com
france.india@wanadoo.fr

FRANCE

ind.i.a.

28500 ARGANDA DEL REY (MADRID) - ESPAÑA
C/. ABEDUL, 43 - Poligono "EL GUJAR"
TEL (+34) (91) 8701897 - 8700819
FAX (+34) (91) 8700820
info@arteferro.es www.arteferro.es

ESPAÑA S.L.

ARTEFERRO Skandinavien AB

SWEDEN: SJÖTULLSG. 3 - S-602 28 NORRKÖPING
TEL (+46) (0) 11182323 - FAX (+46) (0) 11182328
DENMARK: HESSELAGER 19 - DK-2605 BRØNDBY
TEL +45 4362 2563 - FAX +45 4362 2535
www.arteferro.se - info@arteferro.se

SWEDEN - DENMARK

ARTEFERRO Dohomont d.o.o.

SIRKOVIŠE bb 40324 GORICAN - HRVATSKA
PHONE (+385) (0)40 601-222
Fax PHONE (+385) (0)40 601-600
www.arteferro-dohomont.hr
info@arteferro-dohomont.hr

HRVATSKA

Mobilforge S.A.

Targoviste - Romania Soseaua Gaesti, (sat Colanu)
Judetul Dambavita
Tel. 004 0751060204, (004)0745395590
Fax (004)0745731210
E-mail: info@mobilforge.com

ROMANIA

ООО "ARTEFERRO Russia"

603092 Nizhny Novgorod (Russia)
Moskovskoje shosse, 320 B
TEL (+7) (831) 296-19-99 FAX: (+7) (831) 279-28-63
www.arteferro.ru - www.arteferrossia.com
info@arteferrossia.com

RUSSIA

ARTEFERRO Ukraina

5, AVTOPARKOVA, 02660 Kiev - Ukraine
Tel.: (+38) (044) 4920331
Fax: (+38) (044) 4920332
E-mail: arteferroukraina@svitonline.com
www.arteferroukraina.com

UKRAINE

ind.i.a.

ul. Gierdziejewskiego 7
02-495 Warszawa POLAND
Tel +48 (22) 397-79-40
Fax +48 (22) 397-21-55
info@indiapoland.com - www.indiapoland.com

POLAND S.p.A.

ARTEFERRO Monterrey S.A. DE C.V.

Av. E. Martinez Lara # 117 Parque Industrial MILMEX
Carretera Sta. Rosa Km. 3 Apodaca,
Nuevo León C.P. 66637
Teléfono: (81) 1295-5094 / 1295-5095
Fax: (81) 1295-5097
info@arteferromonterrey.com
www.arteferromonterrey.com

MEXICO

ind.i.a.

RUA PADRE FEIJÓ, 480 CEP 95190-000
SÃO MARCOS / RS BRASIL
TEL - FAX (+55) (0) 54 32911416
www.arteferrobrazil.com.br
arteferro@arteferrobrazil.com.br

BRASIL Ltda

ARTEFERRO Argentina S.A.

Suarez 760
(1162) Capital Federal Buenos Aires
Republica Argentina
TEL./Fax (+54) 11 43012637

ARGENTINA

ARTEFERRO Chile S.A.

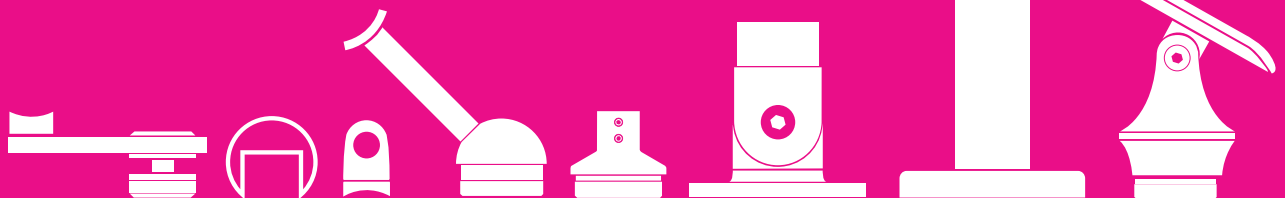
LOS ARRAYANES 250, COMUNA DE COLINA,
SANTIAGO DE CHILE

CHILE

ARTEFERRO BOTNIC INTERNATIONAL LTD

Block C/5 Lagos State small scale Industrial Estate,
Fatai Atere Way, Matori, Lagos
Tel. 00234 1 891 4155 - 00234 1 2799 093-4
www.arteferrobotnic.com
info@arteferrobotnic.com

NIGERIA



WWW.ARTEFERRO.COM