

● ROPE SYSTEM[®] ●

by *ind.i.a.*

Incredibilmente modulare e semplice da installare. In origine utilizzata nelle applicazioni navali è ormai da parecchi anni che ricopre il ruolo di protagonista in molte strutture architettoniche e moderne. ROPE SYSTEM è incredibilmente facile da montare e garantisce soluzioni estremamente attuali e dalla grandissima capacità di integrazione in qualsiasi ambiente.

Such system is extremely modular and easy to install. At the beginning it was used in the naval field but in recent years it has become the main actor in many architectural and modern structures. The ROPE SYSTEM is extremely easy to assemble and it ensures topical solutions that perfectly fit in every environment.

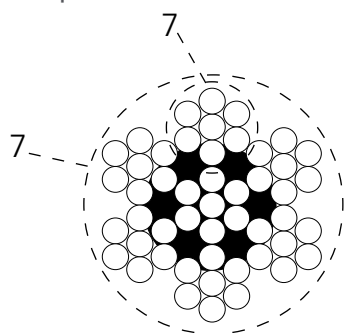
42

NUOVI PRODOTTI
NEW PRODUCTS



Funi 7 x 7 - Wire Ropes 7 x 7

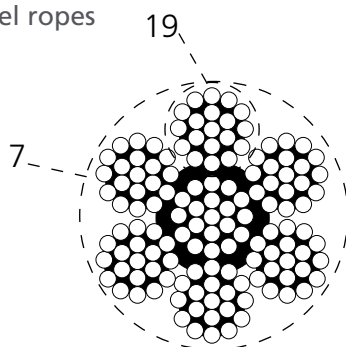
Funi in acciaio Inox
Stainless steel ropes



AISI 316	Cod. art. Art. no.	Fune Rope	Forza di rottura minima Min. Brake load
	EF7X704	Ø 4 mm - 5/32" dia.	9,00 kN
	EF7X705	Ø 5 mm - 13/64" dia.	14,00 kN
	EF7X706	Ø 6 mm - 15/64" dia.	20,00 kN

Funi 7 x 19 - Wire Ropes 7 x 19

Funi in acciaio Inox
Stainless steel ropes



AISI 316	Cod. art. Art. no.	Fune Rope	Forza di rottura minima Min. Brake load
	EF7X1904	Ø 4 mm - 5/32" dia.	8,50 kN
	EF7X1905	Ø 5 mm - 13/64" dia.	14,00 kN
	EF7X1906	Ø 6 mm - 15/64" dia.	20,00 kN

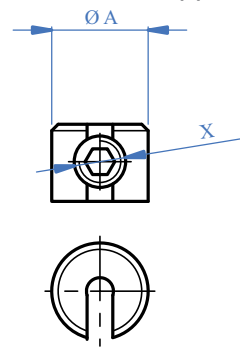


Accessori per Funi - Wire Accessories

Cilindri di fermo ad un grano
Stopper for wire rope with set screw

AISI 303	Cod. art. Art. no.	Fune Rope	x	Ø A
	EA04	Ø 4 mm 5/32" dia.	M8	Ø 15 mm 19/32" dia.
	EA05	Ø 5-6 mm 13/64" - 15/64" dia.	M6	Ø 20 mm 25/32" dia.

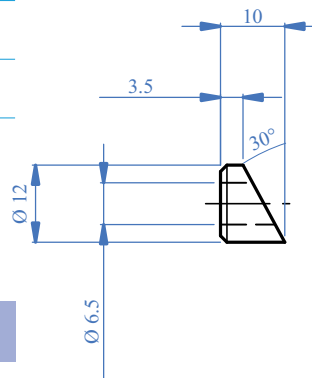
AISI 316	Cod. art. Art. no.	Fune Rope	x	Ø A
NEW	EA04316	Ø 4 mm 5/32" dia.	M8	Ø 15 mm 19/32" dia.
NEW	EA05316	Ø 5-6 mm 13/64" - 15/64" dia.	M6	Ø 20 mm 25/32" dia.



AISI 303	Cod. art. Art. no.	Per tubo For tube	Foro Hole
	EB06	Ø 33,7 mm 1 1/3" dia.	Ø 6,5 mm 17/64" dia.
	EB061	Ø 42,4 mm 1 2/3" dia.	Ø 6,5 mm 17/64" dia.
	EB062	Ø 48,3 mm 1 7/8" dia.	Ø 6,5 mm 17/64" dia.
	EB063	Superficie piana Flat face	Ø 6,5 mm 17/64" dia.

AISI 316	Cod. art. Art. no.	Per tubo For tube	Foro Hole
NEW	EB06316	Ø 33,7 mm 1 1/3" dia.	Ø 6,5 mm 17/64" dia.
	EB061316	Ø 42,4 mm 1 2/3" dia.	Ø 6,5 mm 17/64" dia.
	EB062316	Ø 48,3 mm 1 7/8" dia.	Ø 6,5 mm 17/64" dia.
	EB063316	Superficie piana Flat face	Ø 6,5 mm 17/64" dia.

Rondella di spessoramento inclinata per terminali filettati
Sloping washers for threaded terminals

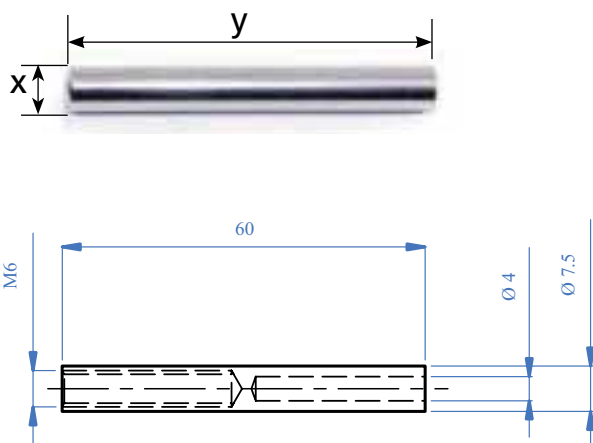


AISI 303	Cod. art. Art. no.	Per tubo For tube	Foro Hole
NEW	EB07	Ø 33,7 mm 1 1/3" dia.	Ø 8,5 mm 11/32" dia.
	EB071	Ø 42,4 mm 1 2/3" dia.	Ø 8,5 mm 11/32" dia.
	EB072	Ø 48,3 mm 1 7/8" dia.	Ø 8,5 mm 11/32" dia.
	EB073	Superficie piana Flat face	Ø 8,5 mm 11/32" dia.

AISI 316	Cod. art. Art. no.	Per tubo For tube	Foro Hole
NEW	EB07316	Ø 33,7 mm 1 1/3" dia.	Ø 8,5 mm 11/32" dia.
	EB071316	Ø 42,4 mm 1 2/3" dia.	Ø 8,5 mm 11/32" dia.
	EB072316	Ø 48,3 mm 1 7/8" dia.	Ø 8,5 mm 11/32" dia.
	EB073316	Superficie piana Flat face	Ø 8,5 mm 11/32" dia.

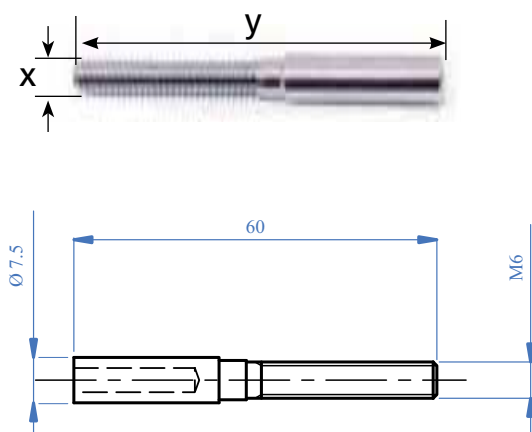
Accessori per Funi - Wire Accessories

Terminale filettato femmina Threaded inside terminal



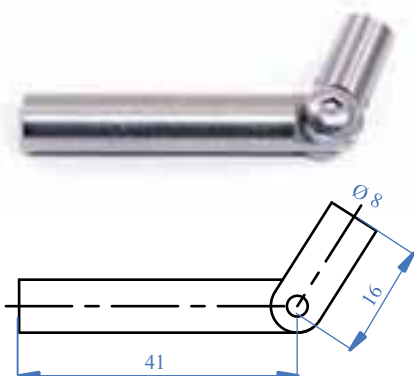
AISI 316	Cod. art. sinistro Art. no. left	Cod. art. destro Art. no. right	Fune Rope	x	y
	ETF04SX	ETF04DX	Ø 4 mm 5/32" dia.	M6	60 mm 2 23/64"
	ETF05SX	ETF05DX	Ø 5 mm 13/64" dia.	M6	60 mm 2 23/64"
	ETF06SX	ETF06DX	Ø 6 mm 15/64" dia.	M6	70 mm 2 3/4"

Terminale filettato maschio Threaded terminal



AISI 316	Cod. art. sinistro Art. no. left	Cod. art. destro Art. no. right	Fune Rope	x	y
	ETM04SX	ETM04DX	Ø 4 mm 5/32" dia.	M6	60 mm 2 23/64"
	ETM05SX	ETM05DX	Ø 5 mm 13/64" dia.	M6	60 mm 2 23/64"
	ETM06SX	ETM06DX	Ø 6 mm 15/64" dia.	M6	70 mm 2 3/4"

Snodo per funi Adjustable connector



AISI 304	Cod. art. Art. no.	Descrizione Description
	ED05	Snodo con 2 filetti interni M6 Adjustable ropes with 2 M6 thread

AISI 316	Cod. art. Art. no.	Descrizione Description
NEW	ED05316	Snodo con 2 filetti interni M6 Adjustable ropes with 2 M6 thread



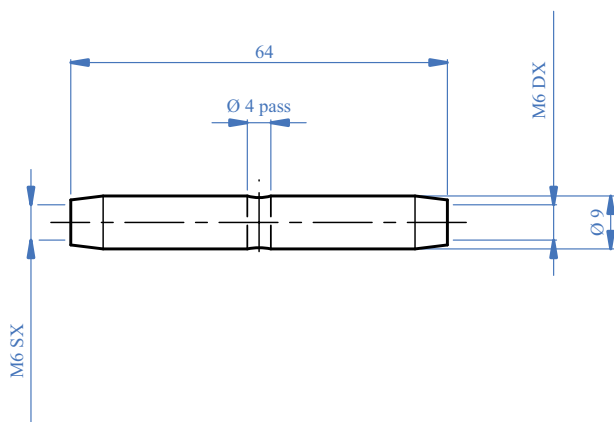
ARTEFERRO



ARTEFERRO

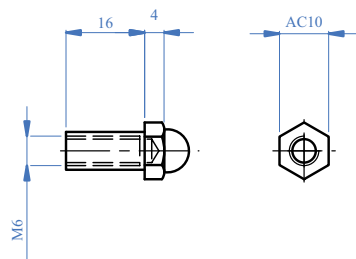
Accessori per Funi - Wire Accessories

Tenditore Coupling nut



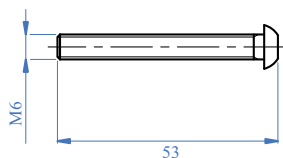
AISI 316	Cod. art. Art. no.	Descrizione Description
	ET06	Tenditore con filettature interne sinistra/destra M6 Domed head nut right hand thread M6

Terminale a testa esagonale Finial with hexagonal head



AISI 316	Cod. art. Art. no.	Descrizione Description
	ED06	Dado cieco con gambo prolungato filettatura destra M6 Domed head nut right hand thread M6
	ED06SX	Dado cieco con gambo prolungato filettatura sinistra M6 Domed head nut left hand thread M6

Vite di fissaggio Fastening screw

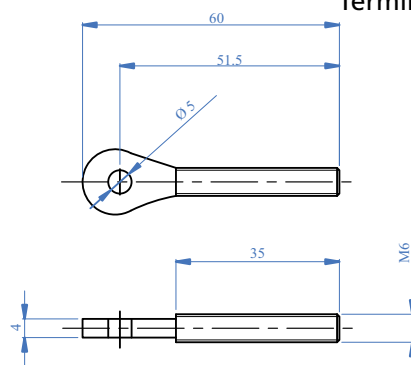


AISI 316	Cod. art. Art. no.	Descrizione Description
	ED07	Vite a testa bombata M6 filettatura destra Rounded head screw M6 thread right
	ED07SX	Vite a testa bombata M6 filettatura sinistra Rounded head screw M6 thread left

Accessori per Funi - Wire Accessories

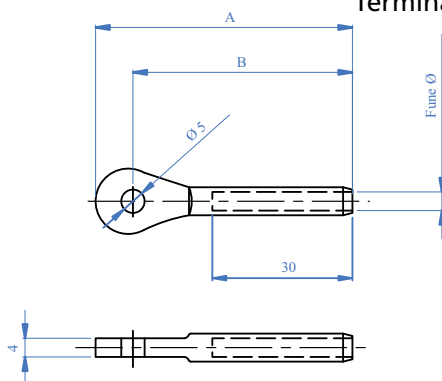
Terminale ad occhio maschio, filettato M6
Threaded eye stud M6

AISI 316	Cod. art. Art. no.	Descrizione Description
	ETFM06DX	Filettatura a destra Right hand thread
	ETFM06SX	Filettatura a sinistra Left hand thread



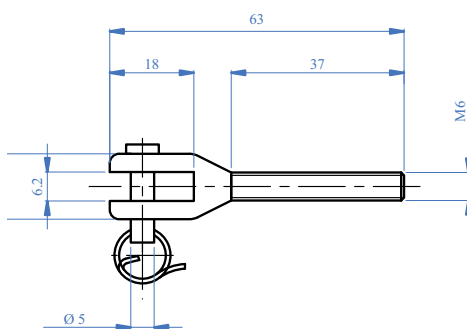
Terminale ad occhio femmina da pressare
Eye terminal to crimp

AISI 316	Cod. art. Art. no.	Fune Rope	A	B
	ETFF04	Ø 4 mm 5/32" dia.	55 mm 2 7/8"	48 mm 1 7/8"
	ETFF05	Ø 5 mm 13/64" dia.	55 mm 2 7/8"	48 mm 1 7/8"
	ETFF06	Ø 6 mm 15/64" dia.	89 mm 3 15/32"	74 mm 2 61/64"



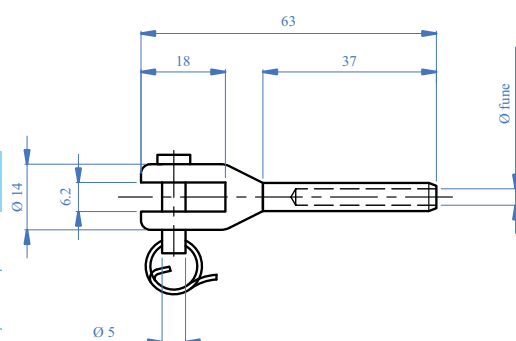
Terminale a forcella fresato maschio, filettato M6
Threaded fork stud M6

AISI 316	Cod. art. Art. no.	Descrizione Description
	ETMT06DX	Filettatura a destra Right hand thread
	ETMT06SX	Filettatura a sinistra Left hand thread



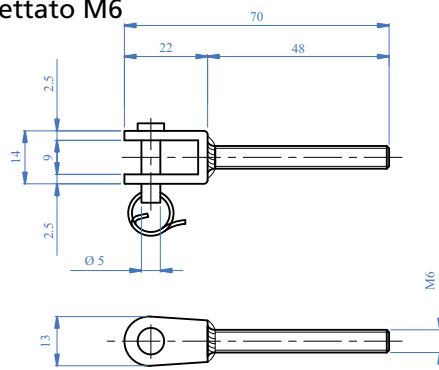
Terminale a forcella fresato femmina da pressare
Fork terminal to crimp

AISI 316	Cod. art. Art. no.	Fune Rope
	ETFT04	Ø 4 mm 5/32" dia.
	ETFT05	Ø 5 mm 13/64" dia.
	ETFT06	Ø 6 mm 15/64" dia.



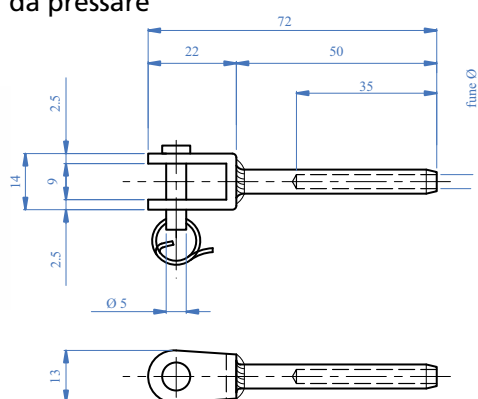
Accessori per Funi - Wire Accessories

Terminale a forcella saldato maschio, filettato M6 Threaded welded fork stud M6



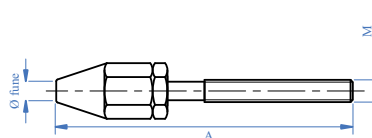
AISI 304	Cod. art. Art. no.	Descrizione Description
	ETMS06DX	Filettatura a destra Right hand thread
	ETMS06SX	Filettatura a sinistra Left hand thread

Terminale a forcella saldato femmina da pressare Welded fork terminal to crimp



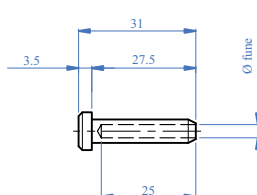
AISI 304	Cod. art. Art. no.	Fune Rope
	ETFS04	\varnothing 4 mm 5/32" dia.
	ETFS05	\varnothing 5 mm 13/64" dia.
	ETFT06	\varnothing 6 mm 15/64" dia.

Terminale filettato swageless maschio M6 Swageless thread terminal M6



AISI 316	Cod. art. Art. no.	Fune Rope	Filetto Thread	A
	ETSM8	\varnothing 4 mm 5/32" dia.	M6-M8	90 mm 3 9/16"
	ETSM10	\varnothing 5 mm 13/64" dia.	M6-M10	107 mm 4 11/64"
	ETSM12	\varnothing 6 mm 15/64" dia.	M6-M12	119 mm 4 23/32"

Terminale a testa battente per fune, da pressare Dome head terminal for wire rope, to crimp



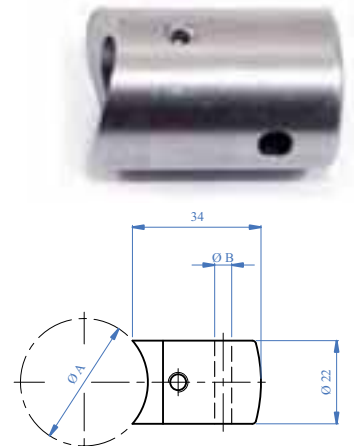
AISI 303	Cod. art. Art. no.	Fune Rope
NEW	ETTB04304	\varnothing 4 mm 5/32" dia.
	ETTB05304	\varnothing 5 mm 13/64" dia.
	ETTB06304	\varnothing 6 mm 15/64" dia.

AISI 316	Cod. art. Art. no.	Fune Rope
	ETTB04	\varnothing 4 mm 5/32" dia.
	ETTB05	\varnothing 5 mm 13/64" dia.
	ETTB06	\varnothing 6 mm 15/64" dia.

Accessori per Funi - Wire Accessories

Supporto per fune esterna
Wire rope support external, passage

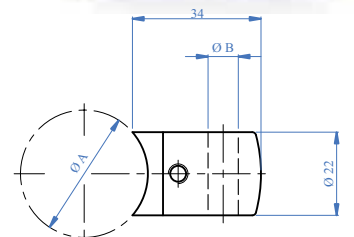
AISI 303	Cod. art. Art. no.	Per tubo For tube	A	Foro Hole	B	Fune Rope
	ESF04	Ø 33,7 mm - 1 1/3" dia.		Ø 4,5 mm - 11/64" dia.		Ø 4 mm - 5/32" dia.
	ESF05	Ø 33,7 mm - 1 1/3" dia.		Ø 5,5 mm - 7/32" dia.		Ø 5 mm - 13/64" dia.
	ESF06	Ø 33,7 mm - 1 1/3" dia.		Ø 6,5 mm - 17/64" dia.		Ø 6 mm - 15/64" dia.
	ESF041	Ø 42,4 mm - 1 2/3" dia.		Ø 4,5 mm - 11/64" dia.		Ø 4 mm - 5/32" dia.
	ESF051	Ø 42,4 mm - 1 2/3" dia.		Ø 5,5 mm - 7/32" dia.		Ø 5 mm - 13/64" dia.
	ESF061	Ø 42,4 mm - 1 2/3" dia.		Ø 6,5 mm - 17/64" dia.		Ø 6 mm - 15/64" dia.
	ESF042	Ø 48,3 mm - 1 7/8" dia.		Ø 4,5 mm - 11/64" dia.		Ø 4 mm - 5/32" dia.
	ESF052	Ø 48,3 mm - 1 7/8" dia.		Ø 5,5 mm - 7/32" dia.		Ø 5 mm - 13/64" dia.
	ESF062	Ø 48,3 mm - 1 7/8" dia.		Ø 6,5 mm - 17/64" dia.		Ø 6 mm - 15/64" dia.
	ESF043	Superficie piana - Flat face		Ø 4,5 mm - 11/64" dia.		Ø 4 mm - 5/32" dia.
	ESF053	Superficie piana - Flat face		Ø 5,5 mm - 7/32" dia.		Ø 5 mm - 13/64" dia.
	ESF063	Superficie piana - Flat face		Ø 6,5 mm - 17/64" dia.		Ø 6 mm - 15/64" dia.



AISI 316	Cod. art. Art. no.	Per tubo For tube	A	Foro Hole	B	Fune Rope
NEW	ESF04316	Ø 33,7 mm - 1 1/3" dia.		Ø 4,5 mm - 11/64" dia.		Ø 4 mm - 5/32" dia.
	ESF05316	Ø 33,7 mm - 1 1/3" dia.		Ø 5,5 mm - 7/32" dia.		Ø 5 mm - 13/64" dia.
	ESF06316	Ø 33,7 mm - 1 1/3" dia.		Ø 6,5 mm - 17/64" dia.		Ø 6 mm - 15/64" dia.
	ESF041316	Ø 42,4 mm - 1 2/3" dia.		Ø 4,5 mm - 11/64" dia.		Ø 4 mm - 5/32" dia.
	ESF051316	Ø 42,4 mm - 1 2/3" dia.		Ø 5,5 mm - 7/32" dia.		Ø 5 mm - 13/64" dia.
	ESF061316	Ø 42,4 mm - 1 2/3" dia.		Ø 6,5 mm - 17/64" dia.		Ø 6 mm - 15/64" dia.
	ESF042316	Ø 48,3 mm - 1 7/8" dia.		Ø 4,5 mm - 11/64" dia.		Ø 4 mm - 5/32" dia.
	ESF052316	Ø 48,3 mm - 1 7/8" dia.		Ø 5,5 mm - 7/32" dia.		Ø 5 mm - 13/64" dia.
	ESF062316	Ø 48,3 mm - 1 7/8" dia.		Ø 6,5 mm - 17/64" dia.		Ø 6 mm - 15/64" dia.
	ESF043316	Superficie piana - Flat face		Ø 4,5 mm - 11/64" dia.		Ø 4 mm - 5/32" dia.
	ESF053316	Superficie piana - Flat face		Ø 5,5 mm - 7/32" dia.		Ø 5 mm - 13/64" dia.
	ESF063316	Superficie piana - Flat face		Ø 6,5 mm - 17/64" dia.		Ø 6 mm - 15/64" dia.

Supporto per fune esterna con terminale già pressato
Supports for external wire ropes with crimped terminals

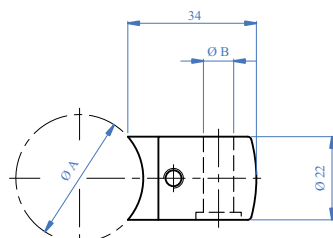
AISI 303	Cod. art. Art. no.	Per tubo For tube	A	Foro Hole	B	Fune Rope
	ESF08	Ø 33,7 mm - 1 1/3" dia.		Ø 8 mm - 5/16" dia.		Ø 4-5-6 mm - 5/32"-13/64"-15/64" dia.
	ESF081	Ø 42,4 mm - 1 2/3" dia.		Ø 8 mm - 5/16" dia.		Ø 4-5-6 mm - 5/32"-13/64"-15/64" dia.
	ESF082	Ø 48,3 mm - 1 7/8" dia.		Ø 8 mm - 5/16" dia.		Ø 4-5-6 mm - 5/32"-13/64"-15/64" dia.
	ESF083	Superficie piana - Flat face		Ø 8 mm - 5/16" dia.		Ø 4-5-6 mm - 5/32"-13/64"-15/64" dia.



AISI 316	Cod. art. Art. no.	Per tubo For tube	A	Foro Hole	B	Fune Rope
NEW	ESF08316	Ø 33,7 mm - 1 1/3" dia.		Ø 8 mm - 5/16" dia.		Ø 4-5-6 mm - 5/32"-13/64"-15/64" dia.
	ESF081316	Ø 42,4 mm - 1 2/3" dia.		Ø 8 mm - 5/16" dia.		Ø 4-5-6 mm - 5/32"-13/64"-15/64" dia.
	ESF082316	Ø 48,3 mm - 1 7/8" dia.		Ø 8 mm - 5/16" dia.		Ø 4-5-6 mm - 5/32"-13/64"-15/64" dia.
	ESF083316	Superficie piana - Flat face		Ø 8 mm - 5/16" dia.		Ø 4-5-6 mm - 5/32"-13/64"-15/64" dia.

Accessori per Funi - Wire Accessories

Supporto terminale per fune esterna
Terminal supports for external wire rope



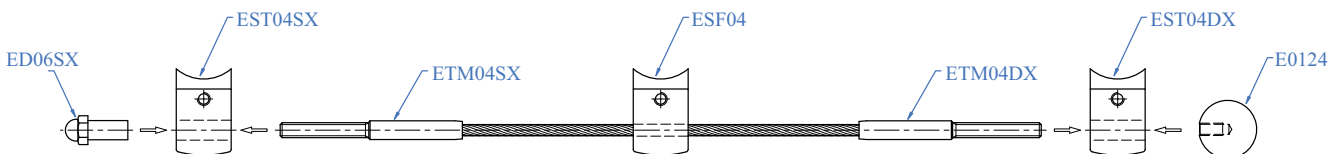
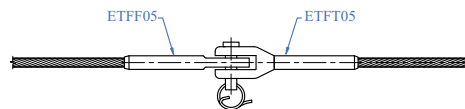
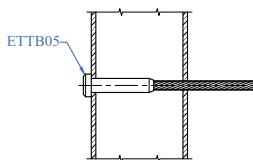
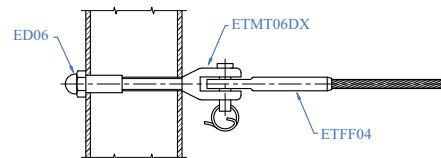
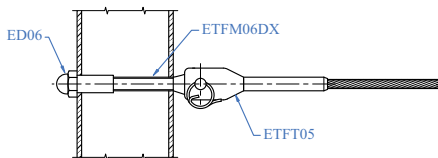
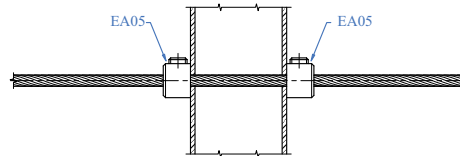
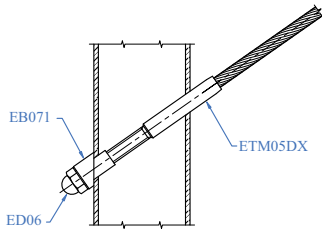
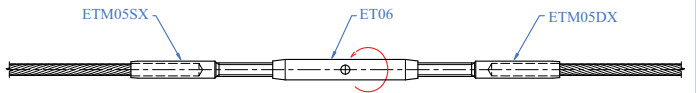
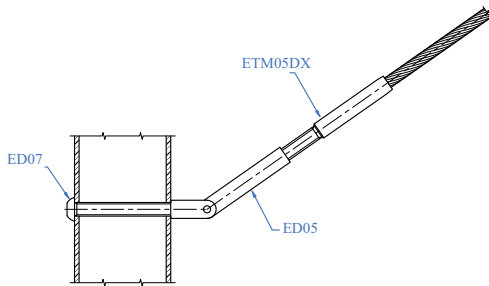
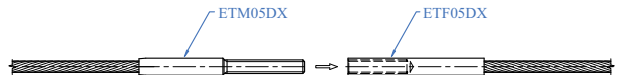
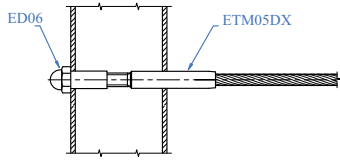
AISI 303	Cod. art. Art. no.	Per tubo For tube	Fune Rope
	EST04DX	Ø 33,7 mm - 1 1/3" dia.	Ø 4-5-6 mm - 5/32"-13/64"-15/64" dia.
	EST04SX	Ø 33,7 mm - 1 1/3" dia.	Ø 4-5-6 mm - 5/32"-13/64"-15/64" dia.
	EST041DX	Ø 42,4 mm - 1 2/3" dia.	Ø 4-5-6 mm - 5/32"-13/64"-15/64" dia.
	EST041SX	Ø 42,4 mm - 1 2/3" dia.	Ø 4-5-6 mm - 5/32"-13/64"-15/64" dia.
	EST042DX	Ø 48,3 mm - 1 7/8" dia.	Ø 4-5-6 mm - 5/32"-13/64"-15/64" dia.
	EST042SX	Ø 48,3 mm - 1 7/8" dia.	Ø 4-5-6 mm - 5/32"-13/64"-15/64" dia.
	EST043DX	Superficie piana - Flat face	Ø 4-5-6 mm - 5/32"-13/64"-15/64" dia.
	EST043SX	Superficie piana - Flat face	Ø 4-5-6 mm - 5/32"-13/64"-15/64" dia.

AISI316	Cod. art. Art. no.	Per tubo For tube	Fune Rope
NEW	EST05DX	Ø 33,7 mm - 1 1/3" dia.	Ø 4-5-6 mm - 5/32"-13/64"-15/64" dia.
	EST05SX	Ø 33,7 mm - 1 1/3" dia.	Ø 4-5-6 mm - 5/32"-13/64"-15/64" dia.
	EST051DX	Ø 42,4 mm - 1 2/3" dia.	Ø 4-5-6 mm - 5/32"-13/64"-15/64" dia.
	EST051SX	Ø 42,4 mm - 1 2/3" dia.	Ø 4-5-6 mm - 5/32"-13/64"-15/64" dia.
	EST052DX	Ø 48,3 mm - 1 7/8" dia.	Ø 4-5-6 mm - 5/32"-13/64"-15/64" dia.
	EST052SX	Ø 48,3 mm - 1 7/8" dia.	Ø 4-5-6 mm - 5/32"-13/64"-15/64" dia.
	EST053DX	Superficie piana - Flat face	Ø 4-5-6 mm - 5/32"-13/64"-15/64" dia.
	EST053SX	Superficie piana - Flat face	Ø 4-5-6 mm - 5/32"-13/64"-15/64" dia.



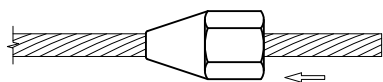


Esempi di Applicazione - Examples of Applications



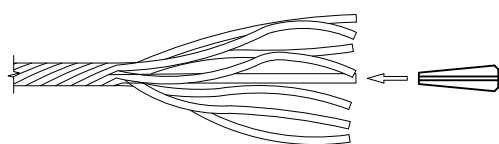
Come Montare gli art. ETSM8, ETSM10 e ETSM12. Non Necessitano dell'Uso della Pressaterminali

How to Construct Article Numbers: ETSM8, ETSM10 e ETSM12: Use of the Crimping Tool is Not Necessary



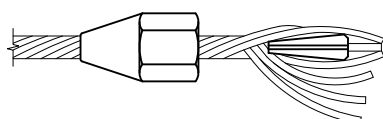
INSERIRE LA FUNE ALL'INTERNO DELLA PUNTA DELL'ART. ETSM08

INSERT THE CABLE ON THE INSIDE OF THE POINT OF ARTICLE: ETSM08

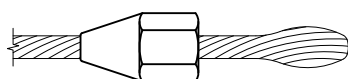


SROTOLARE LA FUNE ED INSERIRE L'OGIVA SULLA PARTE CENTRALE DELLA FUNE

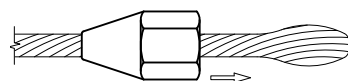
UNROLL THE CABLE AND INSERT THE NOSE OF THE CENTRAL PART OF THE CABLE



RIAVVOLGERE ATTORNO ALL'OGIVA IN MODO TALE DA FORMARE UN PEZZO UNICO E INSERIRE LA FUNE ALL'INTERNO DELLA PUNTA DELL'ART. ETSM08

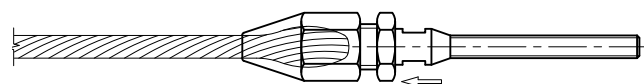
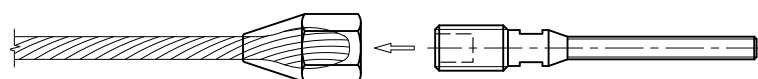


ROLL AROUND TO FORM ONE PIECE AND INSERT CABLE ON THE INSIDE OF THE POINT OF ARTICLE: ETSM08



AVVITARE LA PARTE FINALE DELL'ART. ETSM08

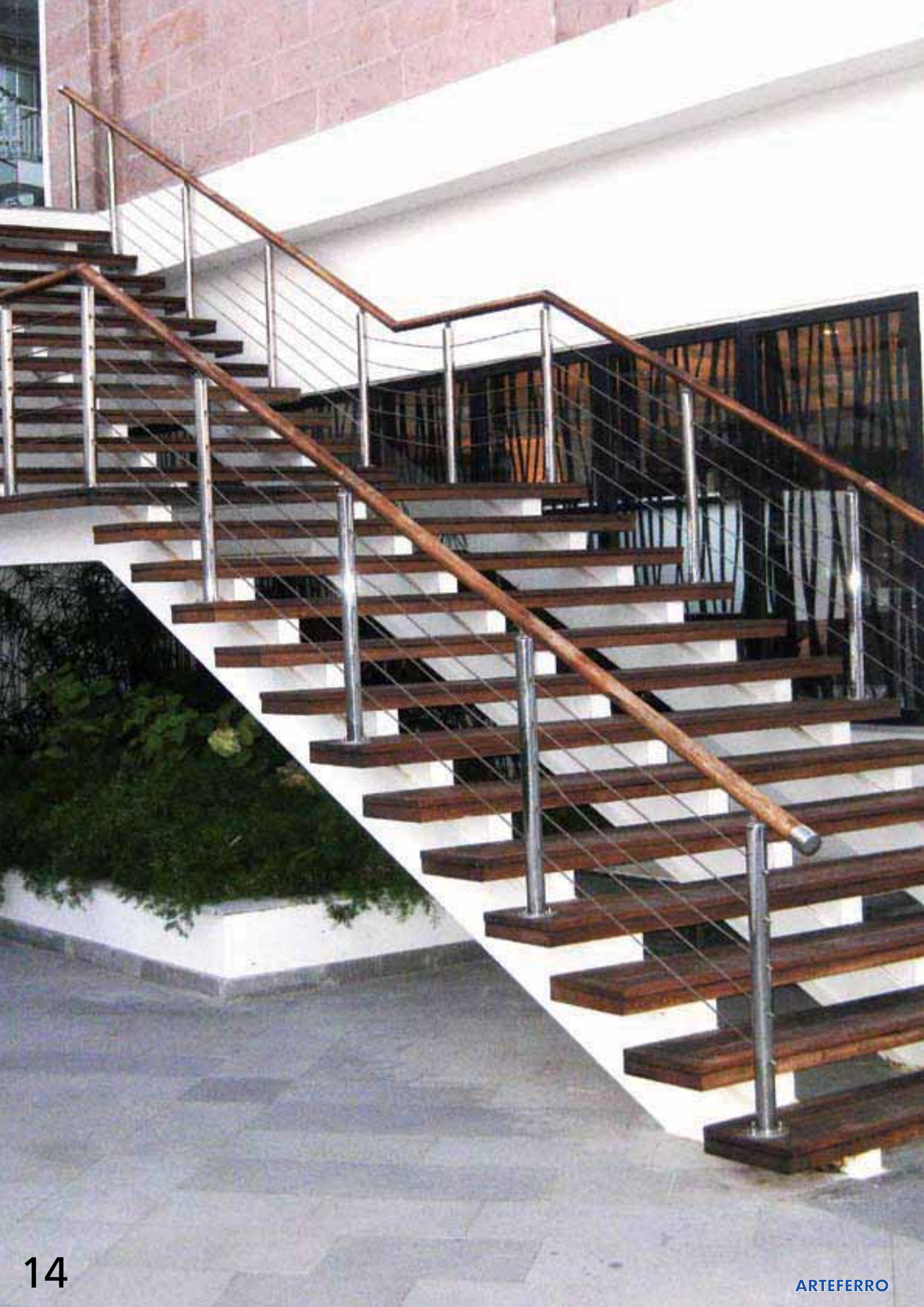
SCREW IN THE FINAL PART OF ARTICLE: ETSM08



BLOCCARE CON IL DADO IN DOTAZIONE

BLOCK WITH THE ENCLOSED NUT

ETSM8





ind.i.a.[®] S. P. A.

INDUSTRIA ITALIANA ARTEFERRO

VIA VICENZA, 6/14

36034 MALO (VICENZA) ITALIA

TELEFONO (+39) 0445 580 580

FAX (+39) 0445 580 874

E-mail: india@arteferro.com

www.ironews.com - www.ilgrandefabbro.com

www.arteferro.com

ARTEFERRO Miami L.L.C.

2955 N.W. 75th STREET
MIAMI, FLORIDA 33147 - USA
PHONE: (+1) (305) 836-9232 / 1-877-723-6743
FAX: (+1) (305) 836-4113
www.arteferromiami.com info@arteferromiami.com

U.S.A.

ARTEFERROSUD S.R.L.

Via Piano Alvanella 83024 MONTEFORTE IRPINO (AV)
Tel. (+39) 0825 68 00 81
Fax (+39) 0825 68 34 98
(Per Campania - Puglia - Calabria - Basilicata - Molise)
www.arteferosud.it info@arteferosud.it

ITALY

ind.i.a.

Z.A.E. LA BAUME RN 113 - 34290 SERVIAN FRANCE
TEL. (+33) (0) 4.67.39.42.81 (lignes groupées)
Fax (+33) (0) 4.67.39.20.90
www.franceindia.com
france.india@wanadoo.fr

FRANCE

ind.i.a.

28500 ARGANDA DEL REY (MADRID) - ESPAÑA
C/ ABEDUL 43 - Polígono "EL GUILJAR"
TEL. (+34) (91) 8701897 - 8700819
FAX (+34) (91) 8700820
info@arteferro.es www.arteferro.es

ESPAÑA S.L.

ARTEFERRO Skandinavien AB

SWEDEN: SJÖTULLSG. 3 - 5-602 28 NORRKÖPING
TEL. (+46) (0) 11182323 - FAX (+46) (0) 11182328
DENMARK: HESSELAGER 19 - DK-2605 BRØNDBY
TEL. +45 4362 2563 - FAX +45 4362 2535
www.arteferro.se - info@arteferro.se

SWEDEN - DENMARK

ARTEFERRO Dohomont d.o.o.

SIRKOVIŠE bb 40324 GORICAN - HRVATSKA
PHONE (+385) (0)40 601-222
Fax PHONE (+385) (0)40 601-600
www.arteferro-dohomont.hr
info@arteferro-dohomont.hr

HRVATSKA

Mobilforge S.A.

Targoviste - Romania Soseaua Gaesti, (sat Colanu)
Judetul Dambavita
Tel. 004 0751060204, (004)0745395590
Fax (004)0745731210
E-mail: info@mobilforge.com

ROMANIA

ООО "ARTEFERRO Russia"

603092 Nizhny Novgorod (Russia)
Moskovskaja shosse, 320 B
TEL. (+7) (831) 296-19-99 FAX: (+7) (831) 279-28-63
www.arteferro.ru - www.arteferrorussia.com
info@arteferrorussia.com

RUSSIA

ARTEFERRO Ukraina

5, AVTOPARKOVA, 02660 Kiev - Ukraine
Tel.: (+38) (044) 4920331
Fax: (+38) (044) 4920332
E-mail: arteferroukraina@svitonline.com
www.arteferroukraina.com

UKRAINE

ind.i.a.

ul. Gierdziejewskiego 7
02-495 Warszawa POLAND
Tel +48 (22) 397-79-40
Fax +48 (22) 397-21-55
info@indiapoland.com - www.indiapoland.com

POLAND

ARTEFERRO Monterrey S.A. DE C.V.

Av. E. Martínez Lara # 117 Parque Industrial MILLIMEX
Carretera Sta. Rosa Km. 3 Apodaca,
Nuevo León C.P. 66637
Teléfono: (81) 1295-5094 / 1295-5095
Fax: (81) 1295-5097
info@arteferromonterrey.com
www.arteferromonterrey.com

MEXICO

ind.i.a.

RUA PADRE FELJÓ, 480 CEP 95190-000
SÃO MARCOS / RS BRASIL
TEL. - FAX (+55) (0) 54 32911416
www.arteferrobrazil.com.br
arteferro@arteferrobrazil.com.br

BRASIL Ltda

ARTEFERRO Argentina S.A.

Suarez 760
(1162) Capital Federal Buenos Aires
Republica Argentina
TEL./Fax (+54) 11 43012637

ARGENTINA

ARTEFERRO Chile S.A.

LOS ARRAYANES 250, COMUNA DE COLINA,
SANTIAGO DE CHILE

CHILE

ARTEFERRO BOTNIC INTERNATIONAL LTD

Block C/5 Lagos State small scale Industrial Estate,
Fatai Atere Way, Matori, Lagos
Tel. 00234 1 891 4155 - 00234 1 2799 093-4
www.arteferrobotnic.com
info@arteferrobotnic.com

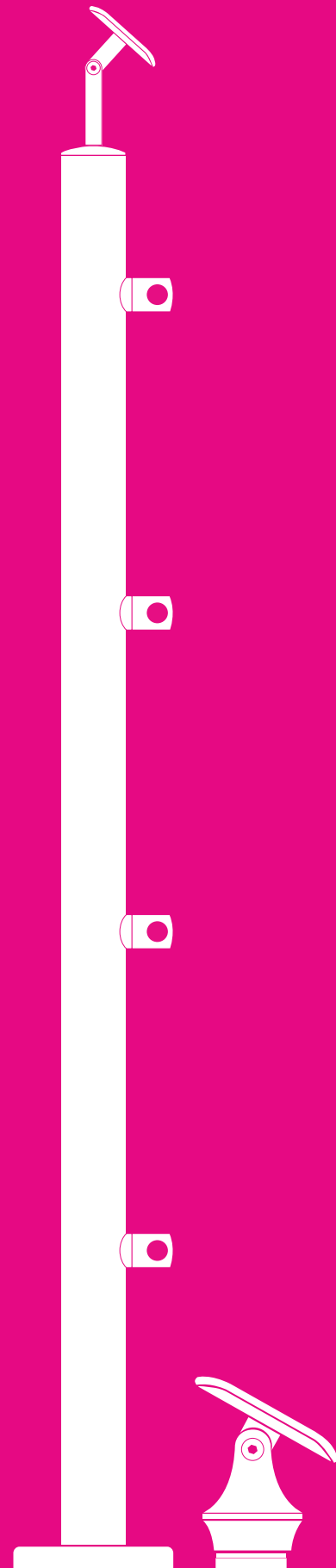
NIGERIA



indital[®]

7947 MESA ROAD - HOUSTON
TEXAS 77028 - U.S.A.
PHONE: (+1) (713) 694-6065 / 1-800-772-4706
FAX: (+1) (713) 694-2055
www.indital.com - forgings@indital.com

U.S.A.



WWW.ARTEFERRO.COM