

• SYSTEMA INOX® •

by *ind.i.a.*

- Giunzioni
- (Curves and Fittings) - Connectors

I Giunti SYSTEMA INOX® sono creati appositamente per aderire al meglio ai nostri tubi ed a tutti gli altri tubi presenti sul mercato.

ALTA QUALITÀ E MASSIMA RESA

The SYSTEMA INOX® connectors

We created them especially to better adhere to our tubes and to all other tubes in the market.

HIGH QUALITY AND BETTER RESULTS

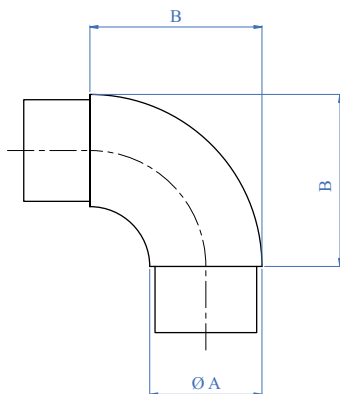
5

NUOVI PRODOTTI
NEW PRODUCTS



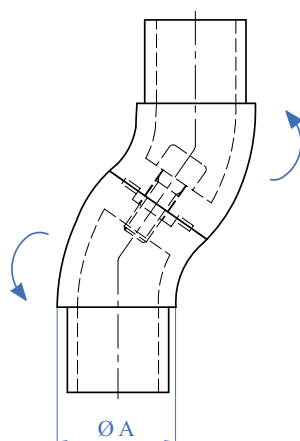
Connettori per Tubo - Tube Fittings

Curva 90°, satinata
90°elbow, satin finish



AISI 304	Cod. art. Art. no.	Per tubo For tube	A	B
	E450/304	Ø 42,4 x 2,0 mm 1 2/3" dia. x 5/64"		65 mm 2 9/16"
AISI 316	Cod. art. Art. no.	Per tubo For tube	A	B
	E2001	Ø 33,7 x 2,0 mm 1 1/3" dia. x 5/64"		55 mm 2 11/16"
	E450	Ø 42,4 x 2,0 mm 1 2/3" dia. x 5/64"		65 mm 2 9/16"
	E2002	Ø 48,3 x 2,0 mm 1 7/8" dia. x 5/64"		73 mm 2 7/8"
	E2004	Ø 50,8 x 2,0 mm 2" dia. x 5/64"		78 mm 3 1/16"
	E2003	Ø 60,3 x 2,0 mm 2 3/8" dia. x 5/64"		85 mm 3 11/32"

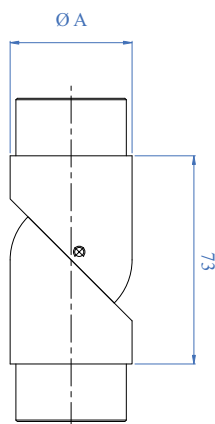
Curva regolabile, satinata
Articulated elbow, satin finish



AISI 316	Cod. art. Art. no.	Per tubo For tube	A
	E447	Ø 33,7 x 2,0 mm 1 1/3" dia. x 5/64"	
	E447/26	Ø 33,7 x 2,6 mm 1 1/3" dia. x 3/32"	
	E4471	Ø 42,4 x 2,0 mm 1 2/3" dia. x 5/64"	
	E4471/26	Ø 42,4 x 2,6 mm 1 2/3" dia. x 3/32"	
	E4472	Ø 48,3 x 2,0 mm 1 7/8" dia. x 5/64"	
	E4472/26	Ø 48,3 x 2,6 mm 1 7/8" dia. x 3/32"	
	E4473	Ø 60,3 x 2,0 mm 2 3/8" dia. x 5/64"	
	E4473/26	Ø 60,3 x 2,6 mm 2 3/8" dia. x 3/32"	

Connettore regolabile, satinato
Articulated tube fitting, satin finish

NEW



AISI 316	Cod. art. Art. no.	Per tubo For tube	A
	E5586	Ø 33,7 x 2,0 mm 1 1/3" dia. x 5/64"	
	E5587	Ø 42,4 x 2,0 mm 1 2/3" dia. x 5/64"	

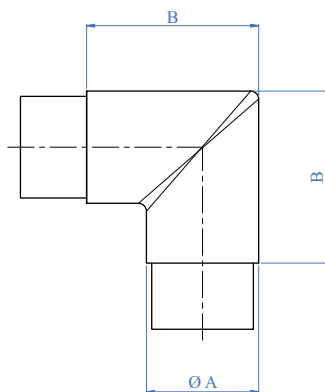


Connettori per Tubo - Tube Fittings

90° ad angolo, satinata
90° angle, satin finish

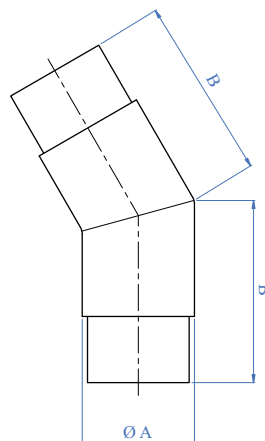
AISI 304	Cod. art. Art. no.	Per tubo For tube	A	B
	E451/304	Ø 42,4 x 2,0 mm 1 2/3" dia. x 5/64"	65 mm 2 9/16"	

AISI 316	Cod. art. Art. no.	Per tubo For tube	A	B
	E2011	Ø 33,7 x 2,0 mm 1 1/3" dia. x 5/64"	55 mm 2 11/16"	
	E451	Ø 42,4 x 2,0 mm 1 2/3" dia. x 5/64"	65 mm 2 9/16"	
	E2012	Ø 48,3 x 2,0 mm 1 7/8" dia. x 5/64"	67 mm 2 41/64"	
	E2014	Ø 50,8 x 2,0 mm 2" dia. x 5/64"	78 mm 3 1/16"	
	E2013	Ø 60,3 x 2,0 mm 2 3/8" dia. x 5/64"	85 mm 3 1/16"	



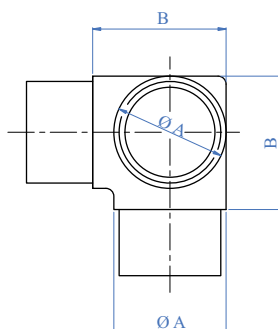
Angolo 45°, satinata
45° angle, satin finish

AISI 316	Cod. art. Art. no.	Per tubo For tube	A	B
	E2016	Ø 33,7 x 2,0 mm 1 1/3" dia. x 5/64"	25 mm 1"	
	E2019	Ø 40,0 x 2,0 mm 1 9/16" dia. x 5/64"	50 mm 2"	
	E2015	Ø 42,4 x 2,0 mm 1 2/3" dia. x 5/64"	50 mm 2"	
	E2017	Ø 48,3 x 2,0 mm 1 7/8" dia. x 5/64"	55 mm 2 11/64"	
	E2020	Ø 50,8 x 2,0 mm 2" dia. x 5/64"	50 mm 2"	
	E2018	Ø 60,3 x 2,0 mm 2 3/8" dia. x 5/64"	60 mm 2 23/64"	



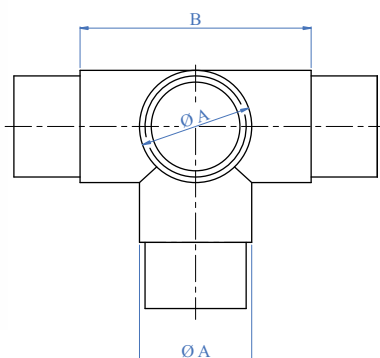
Connettori per tubo - Tube Fittings

Raccordo d'angolo satinato 3-way corner, satin finish



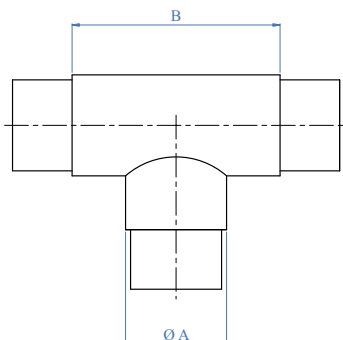
AISI 316	Cod. art. Art. no.	Per tubo For tube	A	B
	E2031	Ø 33,7 x 2,0 mm 1 1/3" dia. x 5/64"		55 mm 2 11/64"
	E2034	Ø 40,0 x 2,0 mm 1 9/16" dia. x 5/64"		70 mm 2 3/4"
	E203	Ø 42,4 x 2,0 mm 1 2/3" dia. x 5/64"		70 mm 2 3/4"
	E2032	Ø 48,3 x 2,0 mm 1 7/8" dia. x 5/64"		74 mm 2 29/32"
	E20321	Ø 50,8 x 2,0 mm 2" dia. x 5/64"		60 mm 2 23/64"
	E2033	Ø 60,3 x 2,0 mm 2 3/8" dia. x 5/64"		81 mm 3 1/16"

Raccordo a doppia "T" satinato 4-way flush "T", satin finish



AISI 316	Cod. art. Art. no.	Per tubo For tube	A	B
	E2036	Ø 33,7 x 2,0 mm 1 1/3" dia. x 5/64"		76 mm 3"
	E2035	Ø 42,4 x 2,0 mm 1 2/3" dia. x 5/64"		89 mm 3 1/2"
	E2037	Ø 48,3 x 2,0 mm 1 7/8" dia. x 5/64"		90 mm 3 9/16"
	E2038	Ø 60,3 x 2,0 mm 2 3/8" dia. x 5/64"		107 mm 4 7/32"

Raccordo a "T" satinato 3-Way flush "T", satin finish

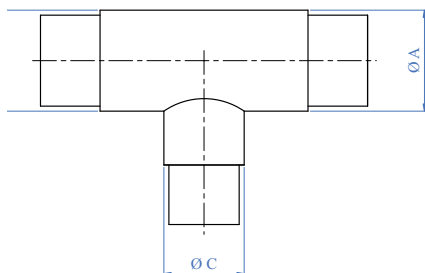


AISI 316	Cod. art. Art. no.	Per tubo For tube	A	B
	E2041	Ø 33,7 x 2,0 mm 1 1/3" dia. x 5/64"		76 mm 3"
	E453/40	Ø 40,0 x 2,0 mm 1 9/16" dia. x 5/64"		87 mm 3 7/16"
	E453	Ø 42,4 x 2,0 mm 1 2/3" dia. x 5/64"		87 mm 3 7/16"
	E453/26	Ø 42,4 x 2,6 mm 1 2/3" dia. x 3/32"		87 mm 3 7/16"
	E2042	Ø 48,3 x 2,0 mm 1 7/8" dia. x 5/64"		88 mm 3 15/32"
	E20371	Ø 50,8 x 2,0 mm 2" dia. x 5/64"		67 mm 2 41/64"
	E2043	Ø 60,3 x 2,0 mm 2 3/8" dia. x 5/64"		108 mm 4 13/32"

Connettori per tubo - Tube Fittings

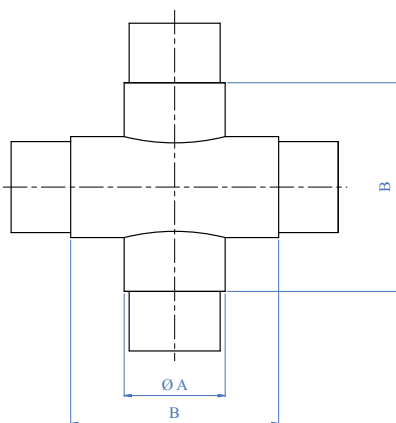
Raccordo a "T" satinato
3-Way flush "T", satin finish

AISI 316	Cod. art.	Per tubo	A	C
	Art. no.	For tube		
	E440	Ø 42,4 x 2,0 mm 1 2/3" dia. x 5/64"		Ø 33,7 x 2,0 mm 1 1/3" dia. x 5/64"
	E445	Ø 48,3 x 2,0 mm 1 7/8" dia. x 5/64"		Ø 42,4 x 2,0 mm 1 2/3" x 5/64"



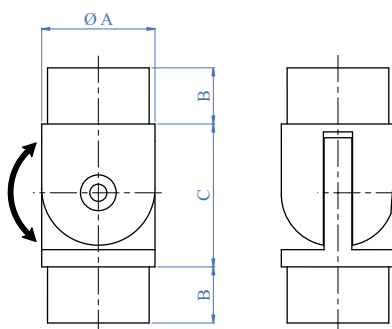
Raccordo a croce satinato
4-Way cross, satin finish

AISI 316	Cod. art.	Per tubo	A	B
	Art. no.	For tube		
	E2046	Ø 33,7 x 2,0 mm 1 1/3" dia. x 5/64"		75 mm 2 61/64"
	E2049	Ø 40,0 x 2,0 mm 1 9/16" dia. x 5/64"		87 mm 3 7/16"
	E2045	Ø 42,4 x 2,0 mm 1 2/3" dia. x 5/64"		87 mm 3 7/16"
	E2047	Ø 48,3 x 2,0 mm 1 7/8" dia. x 5/64"		91 mm 3 37/64"
	E2048	Ø 60,3 x 2,0 mm 2 3/8" dia. x 5/64"		109 mm 4 13/32"



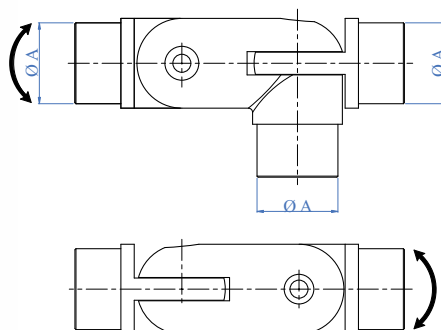
Giunzione snodata, satinata
Pivotable connector, satin finish

AISI 316	Cod. art.	Per tubo	A	B	C
	Art. no.	For tube			
	E4464	Ø 33,7 x 2,0 mm 1 1/3" dia. x 5/64"		22 mm 55/64"	43 mm 1 11/16"
	E446	Ø 42,4 x 2,0 mm 1 2/3" dia. x 5/64"		22 mm 55/64"	53 mm 2 5/64"
	E4462	Ø 48,3 x 2,0 mm 1 7/8" dia. x 5/64"		25 mm 1"	59 mm 2 5/16"



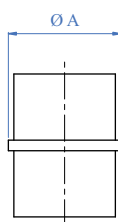
Connettori per tubo - Tube Fittings

Giunzione a doppio snodo
Multiple joint, pivotable



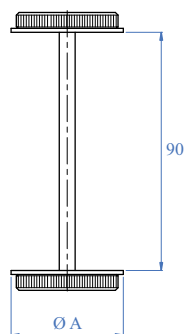
AISI 316	Cod. art. Art. no.	Per tubo For tube	A
	E449	Ø 33,7 x 2,0 mm 1 1/3" dia. x 5/64"	
	E4491	Ø 42,4 x 2,0 mm 1 2/3" dia. x 5/64"	
	E4492	Ø 48,3 x 2,0 mm 1 7/8" dia. x 5/64"	

Giunzione satinata per tubi
Connector, satin finish



AISI 316	Cod. art. Art. no.	Per tubo For tube	A
	E2061	Ø 33,7 x 2,0 mm 1 1/3" dia. x 5/64"	
	E455	Ø 42,4 x 2,0 mm 1 2/3" dia. x 5/64"	
	E455/26	Ø 42,4 x 2,6 mm 1 2/3" dia. x 3/32"	
	E2062	Ø 48,3 x 2,0 mm 1 7/8" dia. x 5/64"	
	E2063	Ø 60,3 x 2,0 mm 2 3/8" dia. x 5/64"	
	E20621	Ø 50,8 x 2,0 mm 2" dia. x 5/64"	

Connettori Pieghevoli per Tubo - Bendable Tube Connectors



FACILMENTE PIEGABILE
EASY TO BEND

AISI 316	Cod. art. Art. no.	Per tubo For tube	A
NEW	E455100	Ø 33,7 x 2,0 mm 1 1/3" dia. x 5/64"	
	E455200	Ø 42,4 x 2,0 mm 1 2/3" dia. x 5/64"	
	E455300	Ø 48,3 x 2,0 mm 1 7/8" dia. x 5/64"	

Giunture in Tubo di Ottone - Connector

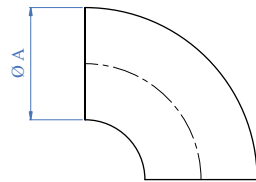
In ottone con fenditura
In brass, with collar

OTTONE	Cod. art. Art. no.	Per tubo For tube
	E024	Ø 42,4 x 2,0 mm 1 2/3" dia. x 5/64"
	E0241	Ø 33,7 x 2,0 mm 1 1/3" dia. x 5/64"



Connettori per Tubo - Tube Connectors

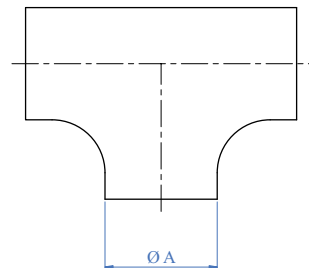
Curva 90°, da saldare, grezza
90° bend, raw, to be welded



AISI 304	Cod. art. Art. no.	Per tubo For tube	A
	E700	Ø 21,3 x 1,6 mm 27/32" dia. x 1/16"	
	E704	Ø 33,7 x 2,0 mm 1 1/3" dia. x 5/64"	
	E706	Ø 42,4 x 2,0 mm 1 2/3" dia. x 5/64"	
	E710	Ø 60,3 x 2,0 mm 1 3/8" dia. x 5/64"	

AISI 316	Cod. art. Art. no.	Per tubo For tube	A
	E800	Ø 33,7 x 2,0 mm 1 1/3" dia. x 5/64"	
	E802	Ø 42,4 x 2,0 mm 1 2/3" dia. x 5/64"	

Raccordo a T, da saldare, grezzo
T fitting, raw, to be welded



AISI 304	Cod. art. Art. no.	Per tubo For tube	A
	E721	Ø 33,7 x 2,0 mm 1 1/3" dia. x 5/64"	
	E722	Ø 42,4 x 2,0 mm 1 2/3" dia. x 5/64"	

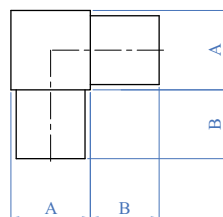
AISI 316	Cod. art. Art. no.	Per tubo For tube	A
	E821	Ø 33,7 x 2,0 mm 1 1/3" dia. x 5/64"	
	E822	Ø 42,4 x 2,0 mm 1 2/3" dia. x 5/64"	



Fittings per Tubo Quadro - Fittings for Square Tubes

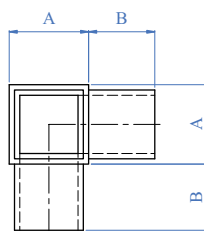
Curva a 90° satinata, per tubo quadro
Elbows 90°, for square tube, satin finish

AISI 316	Cod. art.	Per tubo	A	B
	Art. no.	For tube		
	E4710	20 x 20 x 1,5 mm 1" x 1" x 5/64"	20 mm 25/32"	20 mm 25/32"
	E4711	25 x 25 x 2,0 mm 1" x 1" x 5/64"	25 mm 25/32"	25 mm 25/32"
	E4712	30 x 30 x 2,0 mm 1 3/16" x 1 3/16" x 5/64"	25 mm 1"	25 mm 1"
	E4713	40 x 40 x 2,0 mm 1 9/16" x 1 9/16" x 5/64"	25 mm 1"	25 mm 1"



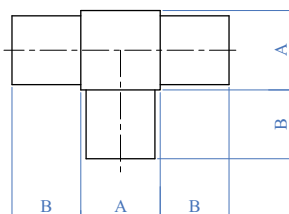
Raccordo d'angolo per tubo quadro, satinato
3-way corner, for square tube, satin finish

AISI 316	Cod. art.	Per tubo	A	B
	Art. no.	For tube		
	E4720	20 x 20 x 1,5 mm 1" x 1" x 5/64"	20 mm 25/32"	20 mm 25/32"
	E4721	25 x 25 x 2,0 mm 1" x 1" x 5/64"	25 mm 25/32"	25 mm 25/32"
	E4722	30 x 30 x 2,0 mm 1 3/16" x 1 3/16" x 5/64"	25 mm 1"	25 mm 1"
	E4723	40 x 40 x 2,0 mm 1 9/16" x 1 9/16" x 5/64"	25 mm 1"	25 mm 1"

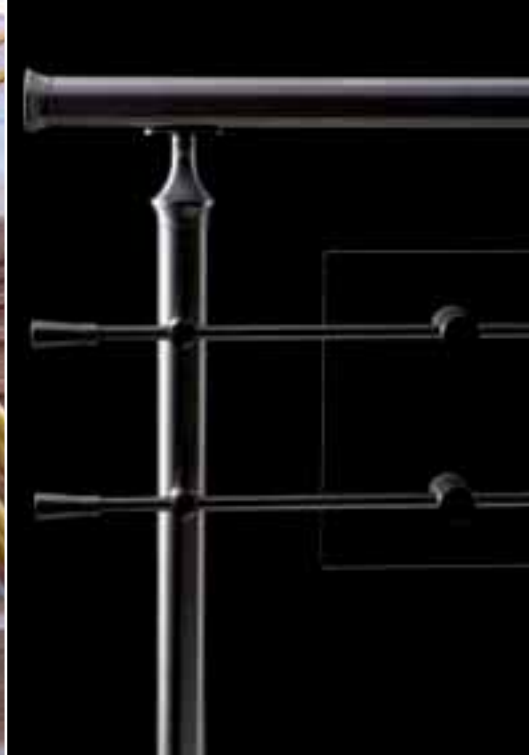


Raccordo a "T" per tubo quadro, satinato
"T" connector, for square tube, satin finish

AISI 316	Cod. art.	Per tubo	A	B
	Art. no.	For tube		
	E4730	20 x 20 x 1,5 mm 1" x 1" x 5/64"	20 mm 25/32"	20 mm 25/32"
	E4731	25 x 25 x 2,0 mm 1" x 1" x 5/64"	20 mm 25/32"	20 mm 25/32"
	E4732	30 x 30 x 2,0 mm 1 3/16" x 1 3/16" x 5/64"	25 mm 1"	25 mm 1"
	E4733	40 x 40 x 2,0 mm 1 9/16" x 1 9/16" x 5/64"	25 mm 1"	25 mm 1"







ind.i.a.[®] S. P. A.

INDUSTRIA ITALIANA ARTEFERRO

VIA VICENZA, 6/14

36034 MALO (VICENZA) ITALIA

TELEFONO (+39) 0445 580 580

FAX (+39) 0445 580 874

E-mail: india@arteferro.com

www.ironews.com - www.ilgrandefabbro.com

www.arteferro.com



indital[®]

7947 MESA ROAD - HOUSTON
TEXAS 77028 - U.S.A.
PHONE: (+1) (713) 694-6065 / 1-800-772-4706
FAX: (+1) (713) 694-2055
www.indital.com - forgings@indital.com

U.S.A.

ARTEFERRO Miami L.L.C.

2955 N.W. 75th STREET
MIAMI, FLORIDA 33147 - USA
PHONE: (+1) (305) 836-9232 / 1-877-723-6743
FAX: (+1) (305) 836-4113
www.arteferromiami.com info@arteferromiami.com

U.S.A.

ARTEFERROSUD S.R.L.

Via Piano Alvanella 83024 MONTEFORTE IRPINO (AV)
Tel. (+39) 0825 68 00 81
Fax (+39) 0825 68 34 98
(Per Campania - Puglia - Calabria - Basilicata - Molise)
www.arteferrosud.it info@arteferrosud.it

ITALY

ind.i.a.

Z.A.E. LA BAUME RN 113 - 34290 SERVIAN FRANCE
TEL: (+33) (0) 4.67.39.42.81 (lignes groupées)
Fax (+33) (0) 4.67.39.20.90
www.franceindia.com
france.india@wanadoo.fr

FRANCE

ind.i.a.

28500 ARGANDA DEL REY (MADRID) - ESPAÑA
C/. ABEDUL, 43 - Polígono "EL GUJAR"
TEL: (+34) (91) 8701897 - 8700819
FAX (+34) (91) 8700820
info@arteferro.es www.arteferro.es

ESPAÑA

ARTEFERRO Skandinavien AB

SWEDEN: SJÖTULLSG. 3 - S-602 28 NORRKÖPING
TEL: (+46) (0) 11182323 - FAX (+46) (0) 11182328
DENMARK: HESSELAGER 19 - DK-2605 BRØNDBY
TEL: +45 4362 2563 - FAX +45 4362 2535
www.arteferro.se - info@arteferro.se

SWEDEN - DENMARK

ARTEFERRO Dohomont d.o.o.

SIRKOVISCE bb 40324 GORICAN - HRVATSKA
PHONE (+385) (0)40 601-222
Fax PHONE (+385) (0)40 601-600
www.arteferro-dohomont.hr
info@arteferro-dohomont.hr

HRVATSKA

Mobilforge S.A.

Targoviste - Romania Soseaua Gaesti, (sat Colanu)
Judetul Dambovitza
Tel. 004) 0751060204, (004)0745395590
Fax (004)0745731210
E-mail: info@mobilforge.com

ROMANIA

OOO "ARTEFERRO Russia"

603092 Nizhny Novgorod (Russia)
Moskovskoye shosse, 320 B
TEL: (+7) (831) 296-19-99 FAX: (+7) (831) 279-28-63
www.arteferro.ru - www.arteferrorussia.com
info@arteferrorussia.com

RUSSIA

ARTEFERRO Ukraina

5, AVTOPARKOVA, 02660 Kiev - Ukraine
Tel: (+38) (044) 4920331
Fax: (+38) (044) 4920332
E-mail: arteferroukraina@svitonline.com
www.arteferroukraina.com

UKRAINE

ind.i.a.

ul. Gierdziejewskiego 7
02-495 Warszawa POLAND
Tel: +48 (22) 397-79-40
Fax: +48 (22) 397-21-55
info@indiapoland.com - www.indiapoland.com

POLAND

ARTEFERRO Monterrey S.A. DE C.V.

Av. E. Martinez Lara # 117 Parque Industrial MILIMEX
Carretera Sta. Rosa Km. 3 Apodaca,
Nuevo León C.P. 66637
Teléfono: (81) 1295-5094 / 1295-5095
Fax: (81) 1295-5097
info@arteferromonterrey.com
www.arteferromonterrey.com

MEXICO

ind.i.a.

RUA PADRE FEIJÓ, 480 CEP 95190-000
SÃO MARCOS / RS BRASIL
TEL - FAX (+55) (0) 54 32911416
www.arteferrobrazil.com.br
arteferro@arteferrobrazil.com.br

BRASIL

ARTEFERRO Argentina S.A.

Suarez 760
(1162) Capital Federal Buenos Aires
Republica Argentina
TEL./Fax (+54) 11 43012637

ARGENTINA

ARTEFERRO Chile S.A.

LOS ARRAYANES 250, COMUNA DE COLINA,
SANTIAGO DE CHILE

CHILE

ARTEFERRO BOTNIC INTERNATIONAL LTD

Block C/5 Lagos State small scale Industrial Estate,
Fafai Atere Way, Matori, Lagos
Tel. 00234 1 891 4155 - 00234 1 2799 093-4
www.arteferrobotnic.com
info@arteferrobotnic.com

NIGERIA



WWW.ARTEFERRO.COM