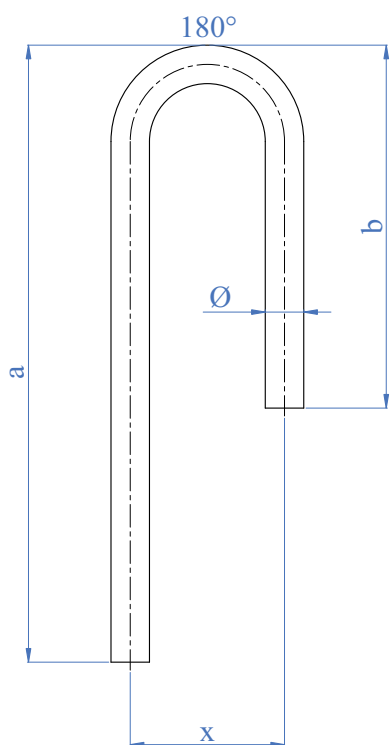


Curvature Su Misura - Custom Bending

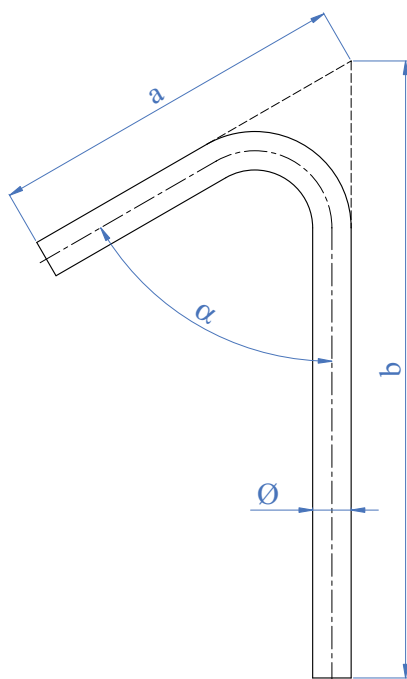


Cod. art. Art. no.	Ø Dia.	x	AISI 304	AISI 316	IRON	QTY
C01	Ø 33,7 x 2,0 mm 1 1/3" dia. x 5/64"	134 mm 5 1/4"	<input type="checkbox"/>	<input type="checkbox"/>	<input type="checkbox"/>	
	Ø 42,4 x 2,0 mm 1 2/3" dia. x 5/64"	170 mm 6 5/8"	<input type="checkbox"/>	<input type="checkbox"/>	<input type="checkbox"/>	
	Ø 48,3 x 2,0 mm 1 7/8" dia. x 5/64"	194 mm 7 5/8"	<input type="checkbox"/>	<input type="checkbox"/>	<input type="checkbox"/>	

a: 180°

a: _____ mm

b: _____ mm



Cod. art. Art. no.	Ø Dia.	AISI 304	AISI 316	IRON	QTY
C02	Ø 33,7 x 2,0 mm 1 1/3" dia. x 5/64"	<input type="checkbox"/>	<input type="checkbox"/>	<input type="checkbox"/>	
	Ø 42,4 x 2,0 mm 1 2/3" dia. x 5/64"	<input type="checkbox"/>	<input type="checkbox"/>	<input type="checkbox"/>	
	Ø 48,3 x 2,0 mm 1 7/8" dia. x 5/64"	<input type="checkbox"/>	<input type="checkbox"/>	<input type="checkbox"/>	

a: _____

a: _____ mm

b: _____ mm

Nome/Name

Telefono/Telephone

Azienda/Company

Fax

Via, n./Street, nr.

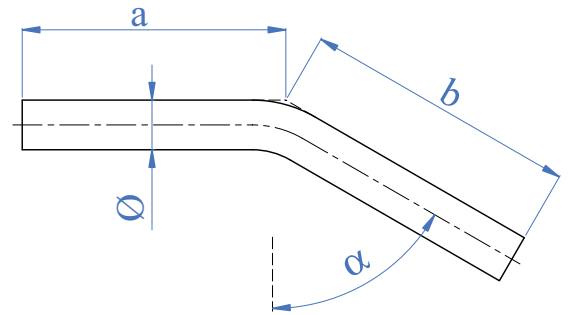
E-mail

Cap., Città/Postcode, City, Country

Partita IVA/V.A.T. code

Curvature Su Misura - Custom Bending

Cod. art. Art. no.	Ø Dia.	AISI 304	AISI 316	IRON	Q.TY
C03	Ø 33,7 x 2,0 mm 1 1/3" dia. x 5/64"	<input type="checkbox"/>	<input type="checkbox"/>	<input type="checkbox"/>	
	Ø 42,4 x 2,0 mm 1 2/3" dia. x 5/64"	<input type="checkbox"/>	<input type="checkbox"/>	<input type="checkbox"/>	
	Ø 48,3 x 2,0 mm 1 7/8" dia. x 5/64"	<input type="checkbox"/>	<input type="checkbox"/>	<input type="checkbox"/>	

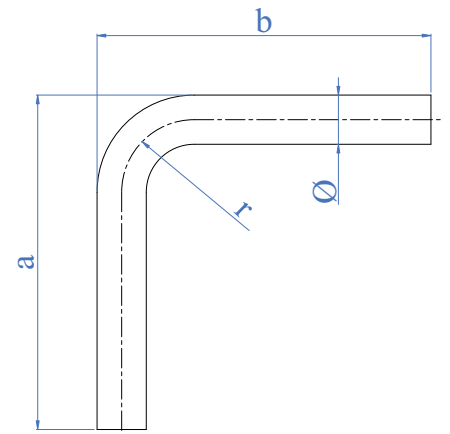


a: _____

a: _____ mm

b: _____ mm

Cod. art. Art. no.	Ø Dia.	AISI 304	AISI 316	IRON	Q.TY
C04	Ø 33,7 x 2,0 mm 1 1/3" dia. x 5/64"	<input type="checkbox"/>	<input type="checkbox"/>	<input type="checkbox"/>	
	Ø 42,4 x 2,0 mm 1 2/3" dia. x 5/64"	<input type="checkbox"/>	<input type="checkbox"/>	<input type="checkbox"/>	
	Ø 48,3 x 2,0 mm 1 7/8" dia. x 5/64"	<input type="checkbox"/>	<input type="checkbox"/>	<input type="checkbox"/>	



PER UN PREVENTIVO COMPILA QUESTA PAGINA E SPEDISCI LA VIA FAX O E-MAIL - FOR A QUOTE, COMPLETE FORM AND SEND TO IND.I.A. BY FAX OR E-MAIL

Nome/Name

Azienda/Company

Via, n./Street, nr.

Cap., Città/Postcode, City, Country

Telefono/Telephone

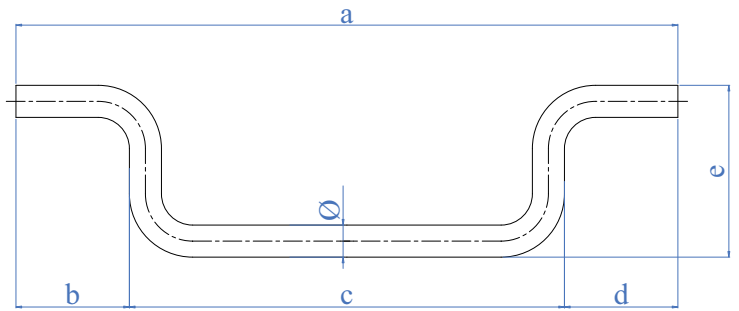
Fax

E-mail

Partita IVA/V.A.T. code

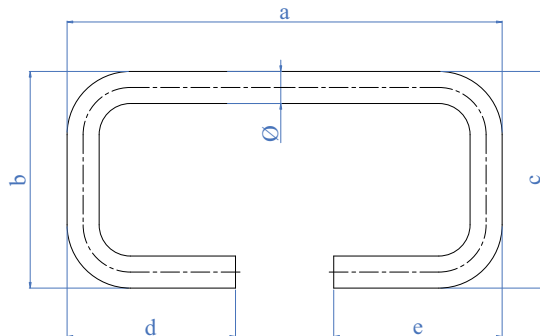
Curvature Su Misura - Custom Bending

Cod. art. Art. no.	Ø Dia.	AISI 304	AISI 316	IRON	Q.TY
C05	Ø 33,7 x 2,0 mm 1 1/3" dia. x 5/64"	<input type="checkbox"/>	<input type="checkbox"/>	<input type="checkbox"/>	
	Ø 42,4 x 2,0 mm 1 2/3" dia. x 5/64"	<input type="checkbox"/>	<input type="checkbox"/>	<input type="checkbox"/>	
	Ø 48,3 x 2,0 mm 1 7/8" dia. x 5/64"	<input type="checkbox"/>	<input type="checkbox"/>	<input type="checkbox"/>	



a: _____ mm
 b: _____ mm
 c: _____ mm
 d: _____ mm
 e: _____ mm

Cod. art. Art. no.	Ø Dia.	AISI 304	AISI 316	IRON	Q.TY
C06	Ø 33,7 x 2,0 mm 1 1/3" dia. x 5/64"	<input type="checkbox"/>	<input type="checkbox"/>	<input type="checkbox"/>	
	Ø 42,4 x 2,0 mm 1 2/3" dia. x 5/64"	<input type="checkbox"/>	<input type="checkbox"/>	<input type="checkbox"/>	
	Ø 48,3 x 2,0 mm 1 7/8" dia. x 5/64"	<input type="checkbox"/>	<input type="checkbox"/>	<input type="checkbox"/>	



a: _____ mm
 b: _____ mm
 c: _____ mm
 d: _____ mm
 e: _____ mm

Nome/Name _____

Azienda/Company _____

Via, n./Street, nr. _____

Cap., Città/Postcode, City, Country _____

Telefono/Telephone _____

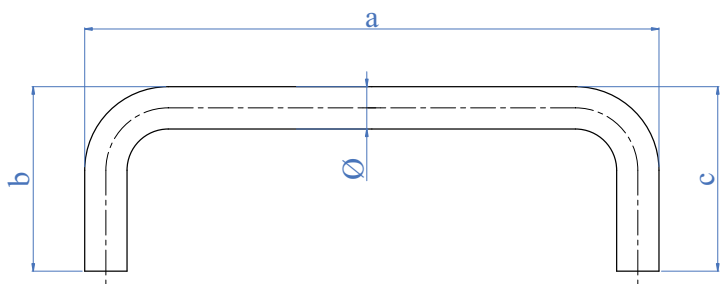
Fax _____

E-mail _____

Partita IVA/V.A.T. code _____

PER UN PREVENTIVO COMPILA QUESTA PAGINA E SPEDISCI LA VIA FAX O E-MAIL - FOR A QUOTE, COMPLETE FORM AND SEND TO IND.I.A. BY FAX OR E-MAIL

Curvature Su Misura - Custom Bending

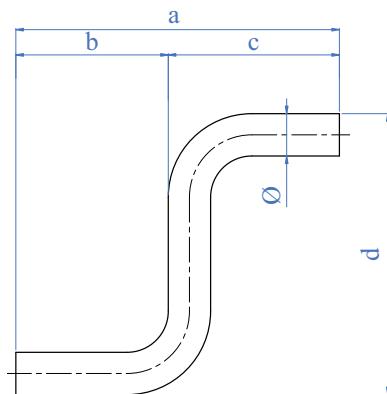


Cod. art. Art. no.	Ø Dia.	AISI 304	AISI 316	IRON	Q.TY
C07	Ø 33,7 x 2,0 mm 1 1/3" dia. x 5/64"	<input type="checkbox"/>	<input type="checkbox"/>	<input type="checkbox"/>	
	Ø 42,4 x 2,0 mm 1 2/3" dia. x 5/64"	<input type="checkbox"/>	<input type="checkbox"/>	<input type="checkbox"/>	
	Ø 48,3 x 2,0 mm 1 7/8" dia. x 5/64"	<input type="checkbox"/>	<input type="checkbox"/>	<input type="checkbox"/>	

a: _____ mm

b: _____ mm

c: _____ mm



Cod. art. Art. no.	Ø Dia.	AISI 304	AISI 316	IRON	Q.TY
C08	Ø 33,7 x 2,0 mm 1 1/3" dia. x 5/64"	<input type="checkbox"/>	<input type="checkbox"/>	<input type="checkbox"/>	
	Ø 42,4 x 2,0 mm 1 2/3" dia. x 5/64"	<input type="checkbox"/>	<input type="checkbox"/>	<input type="checkbox"/>	
	Ø 48,3 x 2,0 mm 1 7/8" dia. x 5/64"	<input type="checkbox"/>	<input type="checkbox"/>	<input type="checkbox"/>	

a: _____ mm

b: _____ mm

c: _____ mm

d: _____ mm

Nome/Name

Telefono/Telephone

Azienda/Company

Fax

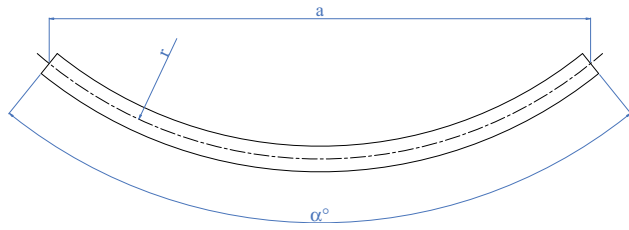
Via, n./Street, nr.

E-mail

Cap., Città/Postcode, City, Country

Partita IVA/V.A.T. code

Curvature Su Misura - Custom Bending

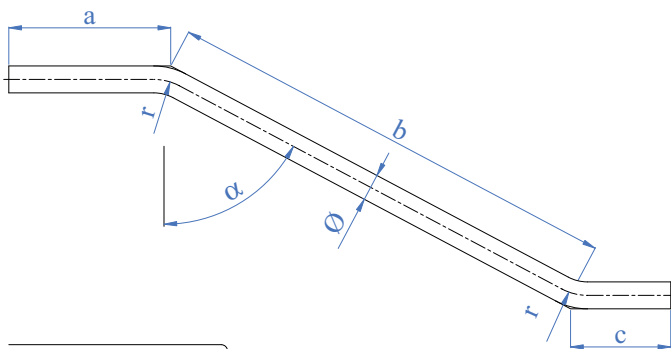


Cod. art. Art. no.	Ø Dia.	AISI 304	AISI 316	IRON	QTY
C09	Ø 33,7 x 2,0 mm 1 1/3" dia. x 5/64"	<input type="checkbox"/>	<input type="checkbox"/>	<input type="checkbox"/>	
	Ø 42,4 x 2,0 mm 1 2/3" dia. x 5/64"	<input type="checkbox"/>	<input type="checkbox"/>	<input type="checkbox"/>	
	Ø 48,3 x 2,0 mm 1 7/8" dia. x 5/64"	<input type="checkbox"/>	<input type="checkbox"/>	<input type="checkbox"/>	

a: _____

a: _____ mm

r: _____ mm



Cod. art. Art. no.	Ø Dia.	r	AISI 304	AISI 316	IRON	QTY
C10	Ø 33,7 x 2,0 mm 1 1/3" dia. x 5/64"	67 mm 2 5/8"	<input type="checkbox"/>	<input type="checkbox"/>	<input type="checkbox"/>	
	Ø 42,4 x 2,0 mm 1 2/3" dia. x 5/64"	85 mm 2 41/64"	<input type="checkbox"/>	<input type="checkbox"/>	<input type="checkbox"/>	
	Ø 48,3 x 2,0 mm 1 7/8" dia. x 5/64"	97 mm 3 13/16"	<input type="checkbox"/>	<input type="checkbox"/>	<input type="checkbox"/>	

a: _____

a: _____ mm

b: _____ mm

c: _____ mm

Nome/Name _____

Azienda/Company _____

Via, n./Street, nr. _____

Cap., Città/Postcode, City, Country _____

Telefono/Telephone _____

Fax _____

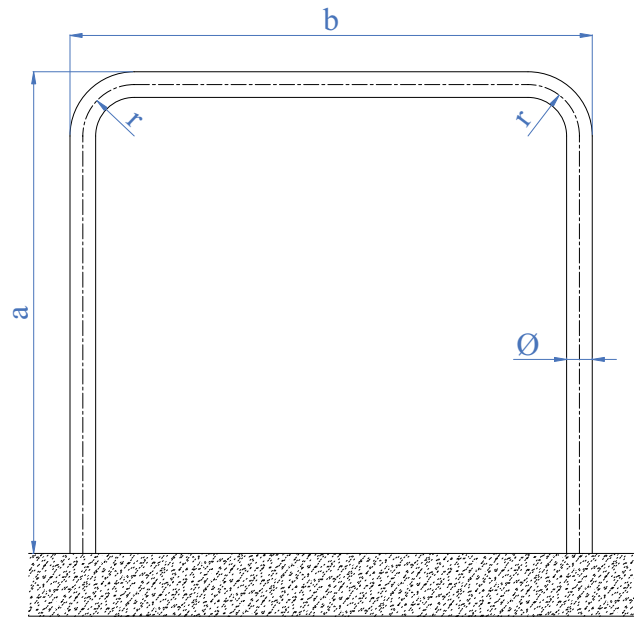
E-mail _____

Partita IVA/V.A.T. code _____

PER UN PREVENTIVO COMPILA QUESTA PAGINA E SPEDISCI LA VIA FAX O E-MAIL - FOR A QUOTE, COMPLETE FORM AND SEND TO IND.I.A. BY FAX OR E-MAIL

Curvature Su Misura - Custom Bending

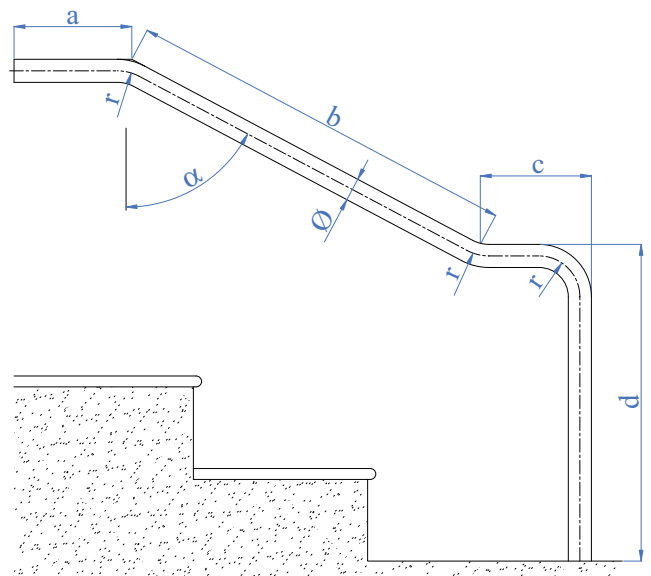
Cod. art. Art. no.	Ø Dia.	r	AISI 304	AISI 316	IRON	Q.TY
C11	Ø 33,7 x 2,0 mm 1 1/3" dia. x 5/64"	67 mm 2 5/8"	<input type="checkbox"/>	<input type="checkbox"/>	<input type="checkbox"/>	
	Ø 42,4 x 2,0 mm 1 2/3" dia. x 5/64"	85 mm 2 41/64"	<input type="checkbox"/>	<input type="checkbox"/>	<input type="checkbox"/>	
	Ø 48,3 x 2,0 mm 1 7/8" dia. x 5/64"	97 mm 3 13/16"	<input type="checkbox"/>	<input type="checkbox"/>	<input type="checkbox"/>	



a: _____ mm

b: _____ mm

Cod. art. Art. no.	Ø Dia.	r	AISI 304	AISI 316	IRON	Q.TY
C12	Ø 33,7 x 2,0 mm 1 1/3" dia. x 5/64"	67 mm 2 5/8"	<input type="checkbox"/>	<input type="checkbox"/>	<input type="checkbox"/>	
	Ø 42,4 x 2,0 mm 1 2/3" dia. x 5/64"	85 mm 2 41/64"	<input type="checkbox"/>	<input type="checkbox"/>	<input type="checkbox"/>	
	Ø 48,3 x 2,0 mm 1 7/8" dia. x 5/64"	97 mm 3 13/16"	<input type="checkbox"/>	<input type="checkbox"/>	<input type="checkbox"/>	



a: _____

a: _____ mm

b: _____ mm

c: _____ mm

Nome/Name

Azienda/Company

Via, n./Street, nr.

Cap., Città/Postcode, City, Country

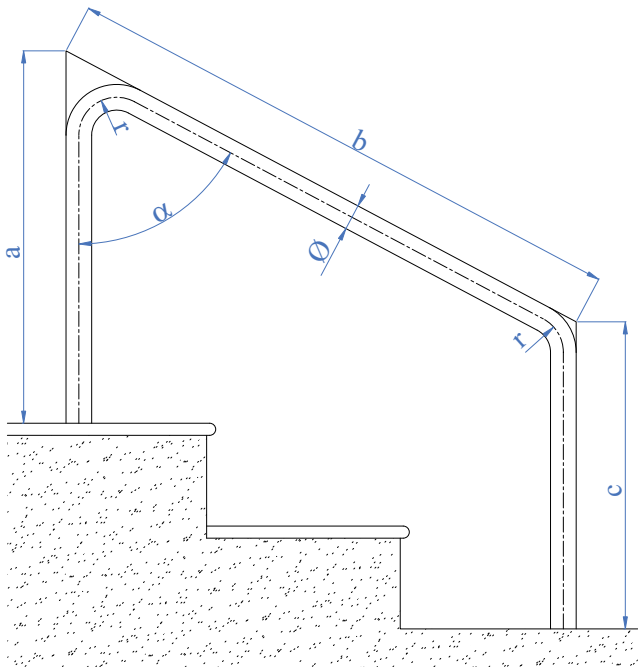
Telefono/Telephone

Fax

E-mail

Partita IVA/V.A.T. code

Curvature Su Misura - Custom Bending



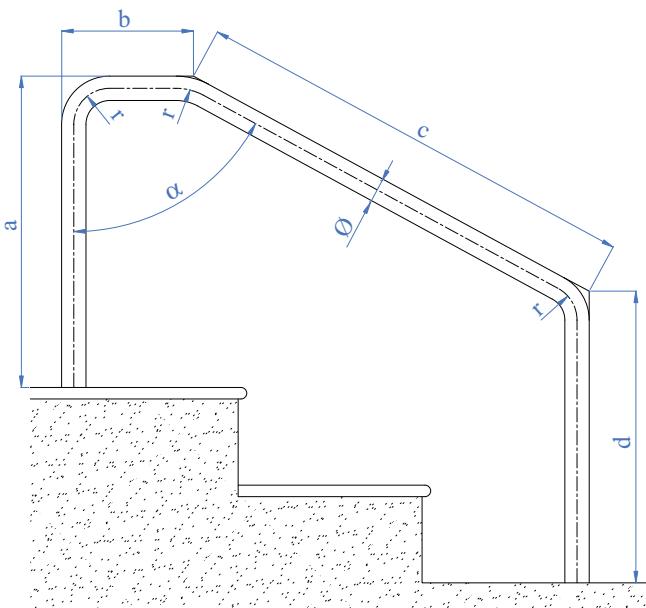
Cod. art. Art. no.	Ø Dia.	r	AISI 304	AISI 316	IRON	QTY
C13	Ø 33,7 x 2,0 mm 1 1/3" dia. x 5/64"	67 mm 2 5/8"	<input type="checkbox"/>	<input type="checkbox"/>	<input type="checkbox"/>	
	Ø 42,4 x 2,0 mm 1 2/3" dia. x 5/64"	85 mm 2 41/64"	<input type="checkbox"/>	<input type="checkbox"/>	<input type="checkbox"/>	
	Ø 48,3 x 2,0 mm 1 7/8" dia. x 5/64"	97 mm 3 13/16"	<input type="checkbox"/>	<input type="checkbox"/>	<input type="checkbox"/>	

a: _____

a: _____ mm

b: _____ mm

c: _____ mm



Cod. art. Art. no.	Ø Dia.	r	AISI 304	AISI 316	IRON	QTY
C14	Ø 33,7 x 2,0 mm 1 1/3" dia. x 5/64"	67 mm 2 5/8"	<input type="checkbox"/>	<input type="checkbox"/>	<input type="checkbox"/>	
	Ø 42,4 x 2,0 mm 1 2/3" dia. x 5/64"	85 mm 2 41/64"	<input type="checkbox"/>	<input type="checkbox"/>	<input type="checkbox"/>	
	Ø 48,3 x 2,0 mm 1 7/8" dia. x 5/64"	97 mm 3 13/16"	<input type="checkbox"/>	<input type="checkbox"/>	<input type="checkbox"/>	

a: _____

a: _____ mm

b: _____ mm

c: _____ mm

d: _____ mm

Nome/Name

Telefono/Telephone

Azienda/Company

Fax

Via, n./Street, nr.

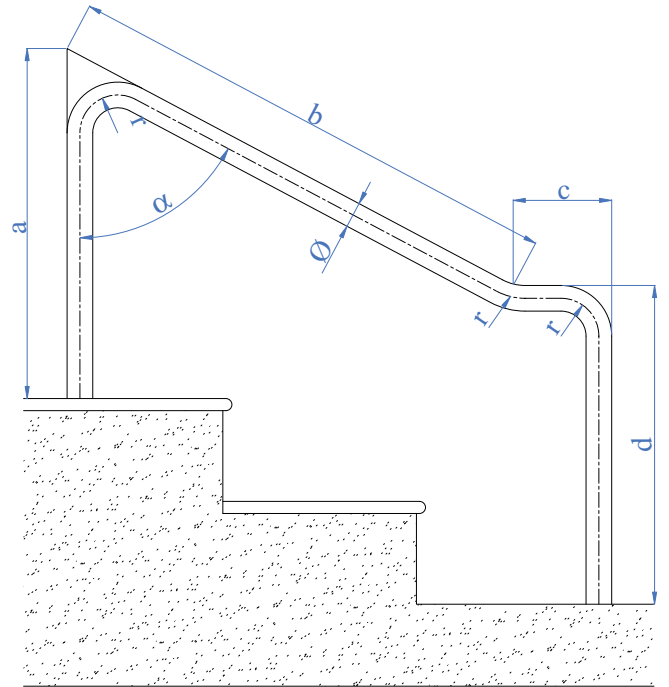
E-mail

Cap., Città/Postcode, City, Country

Partita IVA/V.A.T. code

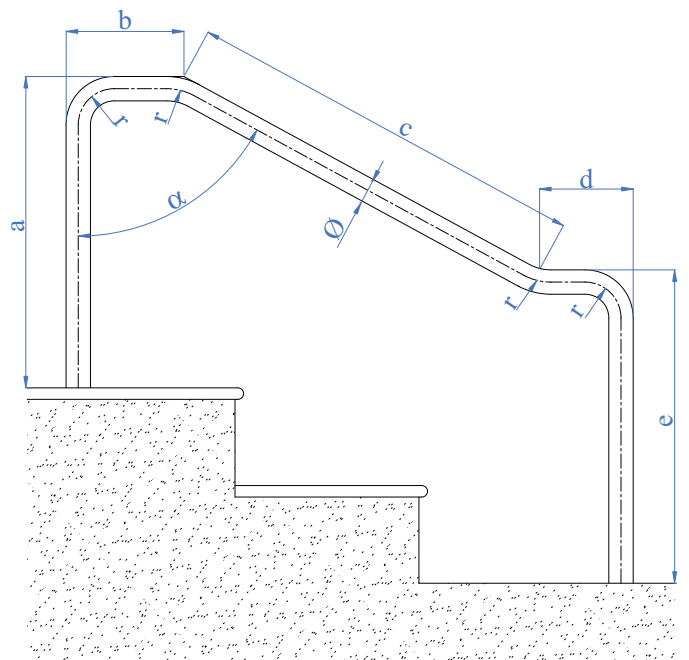
Curvature Su Misura - Custom Bending

Cod. art. Art. no.	Ø Dia.	r	AISI 304	AISI 316	IRON	Q.TY
C15	Ø 33,7 x 2,0 mm 1 1/3" dia. x 5/64"	67 mm 2 5/8"	<input type="checkbox"/>	<input type="checkbox"/>	<input type="checkbox"/>	
	Ø 42,4 x 2,0 mm 1 2/3" dia. x 5/64"	85 mm 2 41/64"	<input type="checkbox"/>	<input type="checkbox"/>	<input type="checkbox"/>	
	Ø 48,3 x 2,0 mm 1 7/8" dia. x 5/64"	97 mm 3 13/16"	<input type="checkbox"/>	<input type="checkbox"/>	<input type="checkbox"/>	



a: _____ mm
 b: _____ mm
 c: _____ mm
 d: _____ mm

Cod. art. Art. no.	Ø Dia.	r	AISI 304	AISI 316	IRON	Q.TY
C16	Ø 33,7 x 2,0 mm 1 1/3" dia. x 5/64"	67 mm 2 5/8"	<input type="checkbox"/>	<input type="checkbox"/>	<input type="checkbox"/>	
	Ø 42,4 x 2,0 mm 1 2/3" dia. x 5/64"	85 mm 2 41/64"	<input type="checkbox"/>	<input type="checkbox"/>	<input type="checkbox"/>	
	Ø 48,3 x 2,0 mm 1 7/8" dia. x 5/64"	97 mm 3 13/16"	<input type="checkbox"/>	<input type="checkbox"/>	<input type="checkbox"/>	



a: _____
 a: _____ mm
 b: _____ mm
 c: _____ mm
 d: _____ mm

Nome/Name _____

Azienda/Company _____

Via, n./Street, nr. _____

Cap., Città/Postcode, City, Country _____

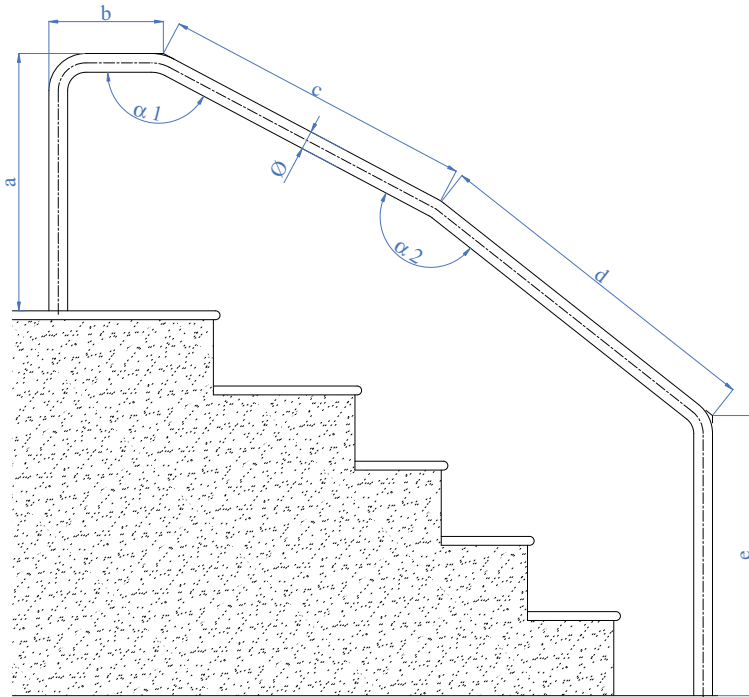
Telefono/Telephone _____

Fax _____

E-mail _____

Partita IVA/V.A.T. code _____

Curvature Su Misura - Custom Bending



Cod. art. Art. no.	Ø Dia.	AISI 304	AISI 316	IRON	Q.TY
C17	Ø 33,7 x 2,0 mm 1 1/3" dia. x 5/64"	<input type="checkbox"/>	<input type="checkbox"/>	<input type="checkbox"/>	
	Ø 42,4 x 2,0 mm 1 2/3" dia. x 5/64"	<input type="checkbox"/>	<input type="checkbox"/>	<input type="checkbox"/>	
	Ø 48,3 x 2,0 mm 1 7/8" dia. x 5/64"	<input type="checkbox"/>	<input type="checkbox"/>	<input type="checkbox"/>	

a1: _____

a2: _____

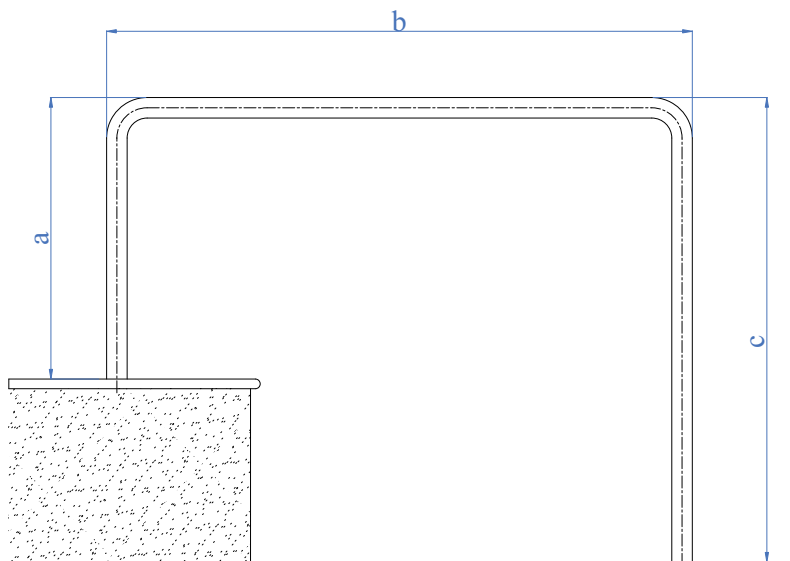
a: _____ mm

b: _____ mm

c: _____ mm

d: _____ mm

e: _____ mm



Cod. art. Art. no.	Ø Dia.	AISI 304	AISI 316	IRON	Q.TY
C18	Ø 33,7 x 2,0 mm 1 1/3" dia. x 5/64"	<input type="checkbox"/>	<input type="checkbox"/>	<input type="checkbox"/>	
	Ø 42,4 x 2,0 mm 1 2/3" dia. x 5/64"	<input type="checkbox"/>	<input type="checkbox"/>	<input type="checkbox"/>	
	Ø 48,3 x 2,0 mm 1 7/8" dia. x 5/64"	<input type="checkbox"/>	<input type="checkbox"/>	<input type="checkbox"/>	

a: _____ mm

b: _____ mm

c: _____ mm

Nome/Name

Telefono/Telephone

Azienda/Company

Fax

Via, n./Street, nr.

E-mail

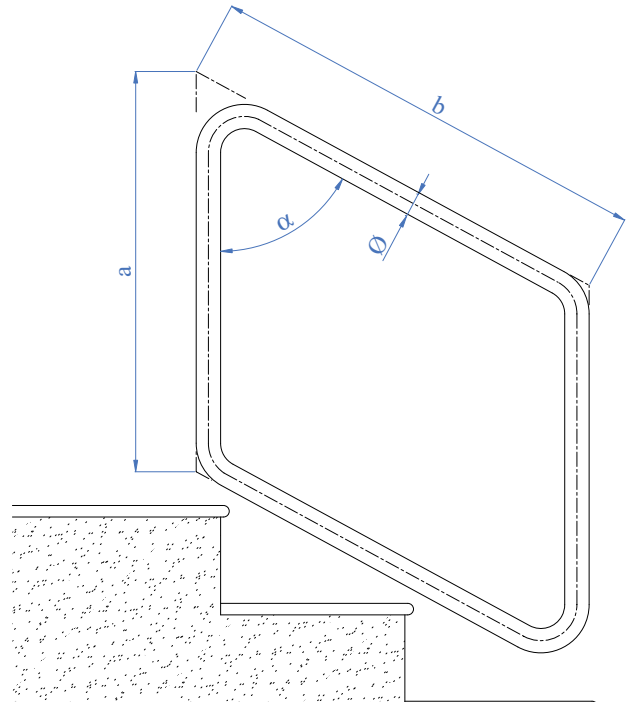
Cap., Città/Postcode, City, Country

Partita IVA/V.A.T. code

Curvature Su Misura - Custom Bending

PER UN PREVENTIVO COMPILA QUESTA PAGINA E SPEDISCI LA VIA FAX O E-MAIL - FOR A QUOTE, COMPLETE FORM AND SEND TO IND.I.A. BY FAX OR E-MAIL

Cod. art. Art. no.	Ø Dia.	AISI 304	AISI 316	IRON	Q.TY
C19	Ø 33,7 x 2,0 mm 1 1/3" dia. x 5/64"	<input type="checkbox"/>	<input type="checkbox"/>	<input type="checkbox"/>	
	Ø 42,4 x 2,0 mm 1 2/3" dia. x 5/64"	<input type="checkbox"/>	<input type="checkbox"/>	<input type="checkbox"/>	
	Ø 48,3 x 2,0 mm 1 7/8" dia. x 5/64"	<input type="checkbox"/>	<input type="checkbox"/>	<input type="checkbox"/>	

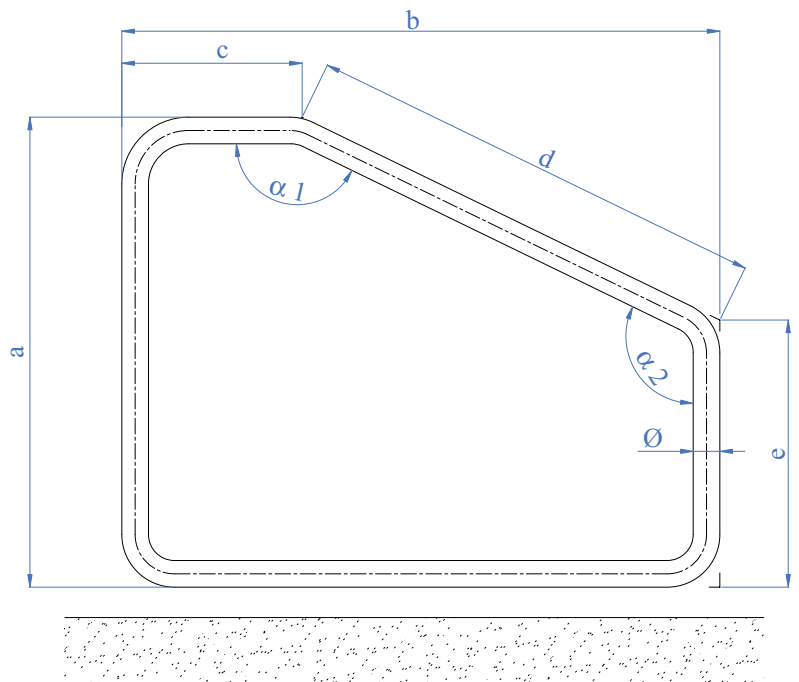


a: _____

a: _____ mm

b: _____ mm

Cod. art. Art. no.	Ø Dia.	AISI 304	AISI 316	IRON	Q.TY
C20	Ø 33,7 x 2,0 mm 1 1/3" dia. x 5/64"	<input type="checkbox"/>	<input type="checkbox"/>	<input type="checkbox"/>	
	Ø 42,4 x 2,0 mm 1 2/3" dia. x 5/64"	<input type="checkbox"/>	<input type="checkbox"/>	<input type="checkbox"/>	
	Ø 48,3 x 2,0 mm 1 7/8" dia. x 5/64"	<input type="checkbox"/>	<input type="checkbox"/>	<input type="checkbox"/>	



a1: _____

a2: _____

a: _____ mm

b: _____ mm

c: _____ mm

d: _____ mm

e: _____ mm

Nome/Name

Azienda/Company

Via, n./Street, nr.

Cap., Città/Postcode, City, Country

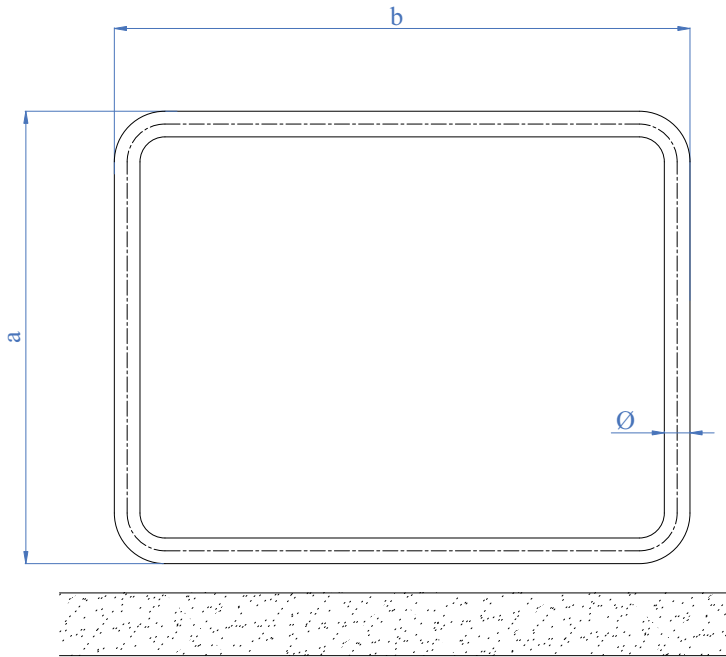
Telefono/Telephone

Fax

E-mail

Partita IVA/V.A.T. code

Curvature Su Misura - Custom Bending

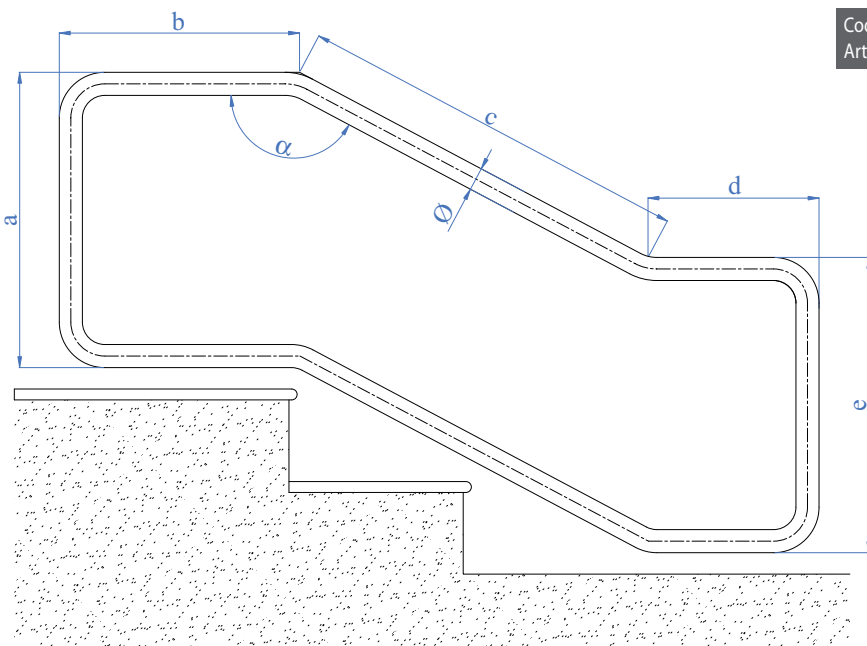


Cod. art. Art. no.	Ø Dia.	AISI 304	AISI 316	IRON	Q.TY
C21	Ø 33,7 x 2,0 mm 1 1/3" dia. x 5/64"	<input type="checkbox"/>	<input type="checkbox"/>	<input type="checkbox"/>	
	Ø 42,4 x 2,0 mm 1 2/3" dia. x 5/64"	<input type="checkbox"/>	<input type="checkbox"/>	<input type="checkbox"/>	
	Ø 48,3 x 2,0 mm 1 7/8" dia. x 5/64"	<input type="checkbox"/>	<input type="checkbox"/>	<input type="checkbox"/>	

a: _____

a: _____ mm

b: _____ mm



Cod. art. Art. no.	Ø Dia.	AISI 304	AISI 316	IRON	Q.TY
C22	Ø 33,7 x 2,0 mm 1 1/3" dia. x 5/64"	<input type="checkbox"/>	<input type="checkbox"/>	<input type="checkbox"/>	
	Ø 42,4 x 2,0 mm 1 2/3" dia. x 5/64"	<input type="checkbox"/>	<input type="checkbox"/>	<input type="checkbox"/>	
	Ø 48,3 x 2,0 mm 1 7/8" dia. x 5/64"	<input type="checkbox"/>	<input type="checkbox"/>	<input type="checkbox"/>	

a: _____

a: _____ mm

b: _____ mm

c: _____ mm

d: _____ mm

e: _____ mm

Nome/Name

Telefono/Telephone

Azienda/Company

Fax

Via, n./Street, nr.

E-mail

Cap., Città/Postcode, City, Country

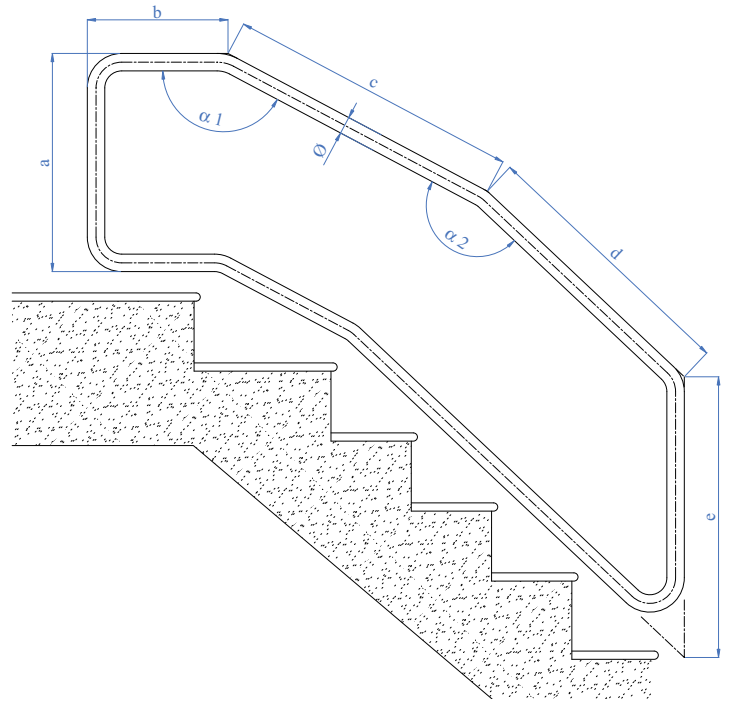
Partita IVA/V.A.T. code

Curvature Su Misura - Custom Bending

PER UN PREVENTIVO COMPILA QUESTA PAGINA E SPEDISCI LA VIA FAX O E-MAIL - FOR A QUOTE, COMPLETE FORM AND SEND TO IND.I.A. BY FAX OR E-MAIL

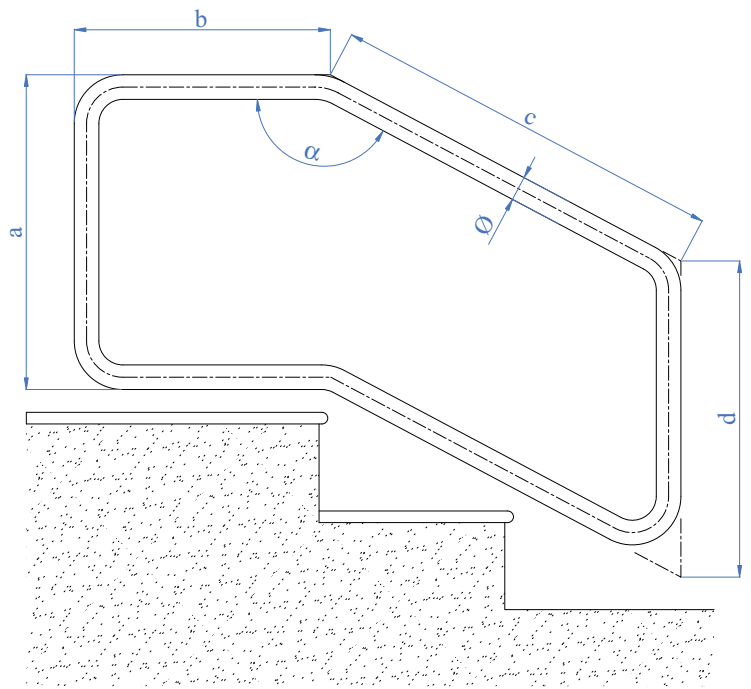
Cod. art. Art. no.	Ø Dia.	AISI 304	AISI 316	IRON	Q.TY
C23	Ø 33,7 x 2,0 mm 1 1/3" dia. x 5/64"	<input type="checkbox"/>	<input type="checkbox"/>	<input type="checkbox"/>	
	Ø 42,4 x 2,0 mm 1 2/3" dia. x 5/64"	<input type="checkbox"/>	<input type="checkbox"/>	<input type="checkbox"/>	
	Ø 48,3 x 2,0 mm 1 7/8" dia. x 5/64"	<input type="checkbox"/>	<input type="checkbox"/>	<input type="checkbox"/>	

a1: _____
 a2: _____
 a: _____ mm
 b: _____ mm
 c: _____ mm
 d: _____ mm
 e: _____ mm



Cod. art. Art. no.	Ø Dia.	AISI 304	AISI 316	IRON	Q.TY
C24	Ø 33,7 x 2,0 mm 1 1/3" dia. x 5/64"	<input type="checkbox"/>	<input type="checkbox"/>	<input type="checkbox"/>	
	Ø 42,4 x 2,0 mm 1 2/3" dia. x 5/64"	<input type="checkbox"/>	<input type="checkbox"/>	<input type="checkbox"/>	
	Ø 48,3 x 2,0 mm 1 7/8" dia. x 5/64"	<input type="checkbox"/>	<input type="checkbox"/>	<input type="checkbox"/>	

a: _____
 a: _____ mm
 b: _____ mm
 c: _____ mm
 d: _____ mm



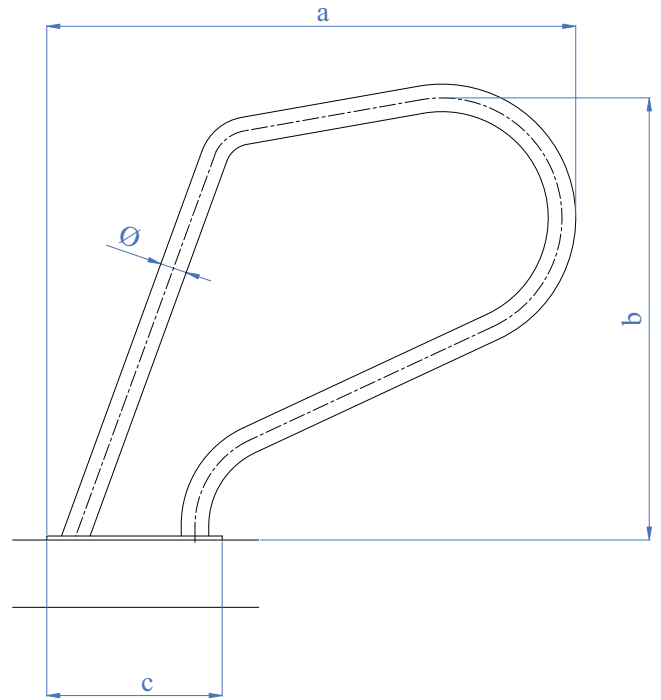
Nome/Name _____
 Azienda/Company _____
 Via, n./Street, nr. _____
 Cap., Città/Postcode, City, Country _____

Telefono/Telephone _____
 Fax _____
 E-mail _____
 Partita IVA/V.A.T. code _____

Curvature Su Misura - Custom Bending

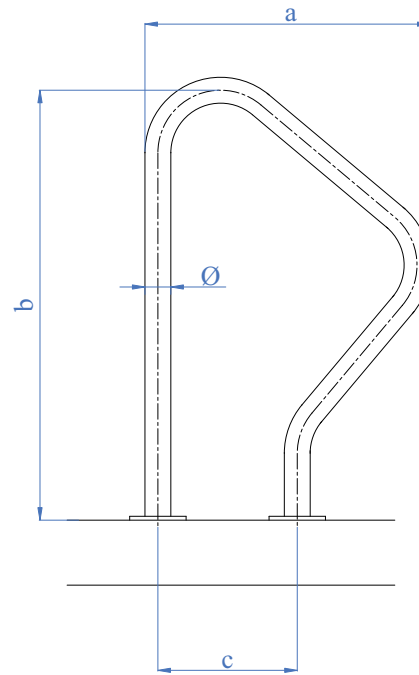
PER UN PREVENTIVO COMPILA QUESTA PAGINA E SPEDISCI LA VIA FAX O E-MAIL - FOR A QUOTE, COMPLETE FORM AND SEND TO IND.I.A. BY FAX OR E-MAIL

Cod. art. Art. no.	Ø Dia.	AISI 304	AISI 316	IRON	Q.TY
C25	Ø 33,7 x 2,0 mm 1 1/3" dia. x 5/64"	<input type="checkbox"/>	<input type="checkbox"/>	<input type="checkbox"/>	
	Ø 42,4 x 2,0 mm 1 2/3" dia. x 5/64"	<input type="checkbox"/>	<input type="checkbox"/>	<input type="checkbox"/>	
	Ø 48,3 x 2,0 mm 1 7/8" dia. x 5/64"	<input type="checkbox"/>	<input type="checkbox"/>	<input type="checkbox"/>	



a: _____ mm
b: _____ mm
c: _____ mm

Cod. art. Art. no.	Ø Dia.	AISI 304	AISI 316	IRON	Q.TY
C26	Ø 33,7 x 2,0 mm 1 1/3" dia. x 5/64"	<input type="checkbox"/>	<input type="checkbox"/>	<input type="checkbox"/>	
	Ø 42,4 x 2,0 mm 1 2/3" dia. x 5/64"	<input type="checkbox"/>	<input type="checkbox"/>	<input type="checkbox"/>	
	Ø 48,3 x 2,0 mm 1 7/8" dia. x 5/64"	<input type="checkbox"/>	<input type="checkbox"/>	<input type="checkbox"/>	



a: _____ mm
b: _____ mm
c: _____ mm

Nome/Name

Azienda/Company

Via, n./Street, nr.

Cap., Città/Postcode, City, Country

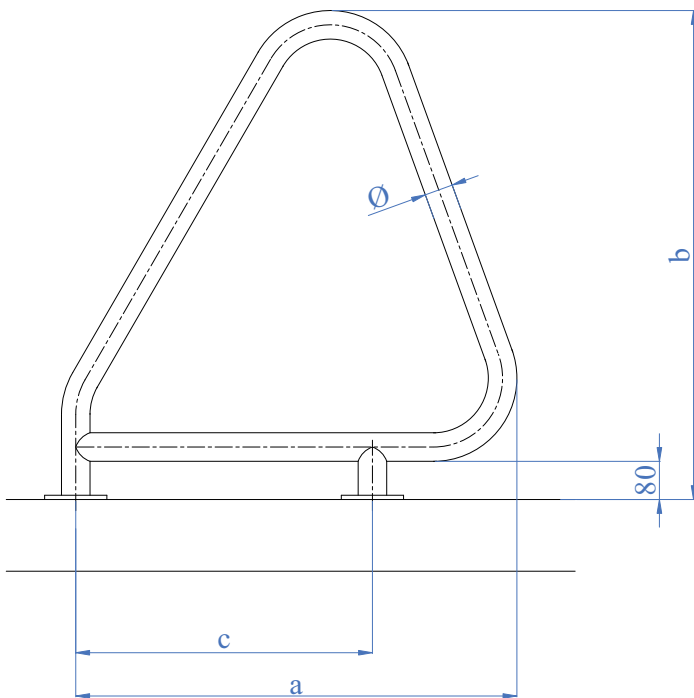
Telefono/Telephone

Fax

E-mail

Partita IVA/V.A.T. code

Curvature Su Misura - Custom Bending

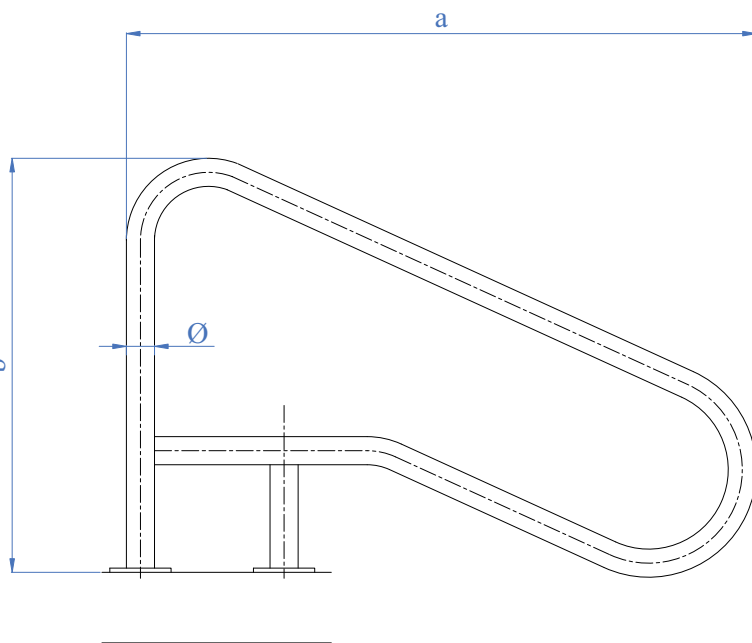


Cod. art. Art. no.	Ø Dia.	AISI 304	AISI 316	IRON	Q.TY
C27	Ø 33,7 x 2,0 mm 1 1/3" dia. x 5/64"	<input type="checkbox"/>	<input type="checkbox"/>	<input type="checkbox"/>	
	Ø 42,4 x 2,0 mm 1 2/3" dia. x 5/64"	<input type="checkbox"/>	<input type="checkbox"/>	<input type="checkbox"/>	
	Ø 48,3 x 2,0 mm 1 7/8" dia. x 5/64"	<input type="checkbox"/>	<input type="checkbox"/>	<input type="checkbox"/>	

a: _____ mm

b: _____ mm

c: _____ mm



Cod. art. Art. no.	Ø Dia.	AISI 304	AISI 316	IRON	Q.TY
C28	Ø 33,7 x 2,0 mm 1 1/3" dia. x 5/64"	<input type="checkbox"/>	<input type="checkbox"/>	<input type="checkbox"/>	
	Ø 42,4 x 2,0 mm 1 2/3" dia. x 5/64"	<input type="checkbox"/>	<input type="checkbox"/>	<input type="checkbox"/>	
	Ø 48,3 x 2,0 mm 1 7/8" dia. x 5/64"	<input type="checkbox"/>	<input type="checkbox"/>	<input type="checkbox"/>	

a: _____ mm

b: _____ mm

Nome/Name

Telefono/Telephone

Azienda/Company

Fax

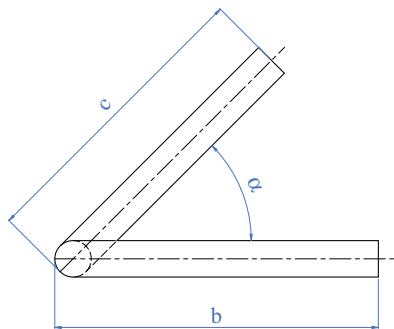
Via, n./Street, nr.

E-mail

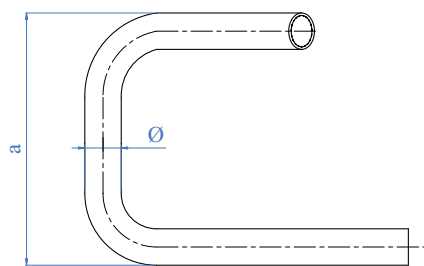
Cap., Città/Postcode, City, Country

Partita IVA/V.A.T. code

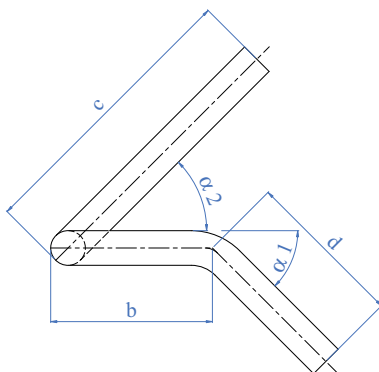
Curvature su 3 Assi - Curves on 3 Axis'



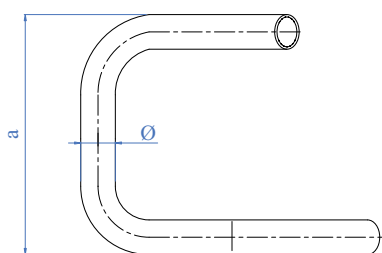
Cod. art. Art. no.	Ø Dia.	AISI 304	AISI 316	IRON	Q.TY
C29	Ø 33,7 x 2,0 mm 1 1/3" dia. x 5/64"	<input type="checkbox"/>	<input type="checkbox"/>	<input type="checkbox"/>	
	Ø 42,4 x 2,0 mm 1 2/3" dia. x 5/64"	<input type="checkbox"/>	<input type="checkbox"/>	<input type="checkbox"/>	
	Ø 48,3 x 2,0 mm 1 7/8" dia. x 5/64"	<input type="checkbox"/>	<input type="checkbox"/>	<input type="checkbox"/>	



a: _____
a: _____ mm
b: _____ mm
c: _____ mm



Cod. art. Art. no.	Ø Dia.	AISI 304	AISI 316	IRON	Q.TY
C30	Ø 33,7 x 2,0 mm 1 1/3" dia. x 5/64"	<input type="checkbox"/>	<input type="checkbox"/>	<input type="checkbox"/>	
	Ø 42,4 x 2,0 mm 1 2/3" dia. x 5/64"	<input type="checkbox"/>	<input type="checkbox"/>	<input type="checkbox"/>	
	Ø 48,3 x 2,0 mm 1 7/8" dia. x 5/64"	<input type="checkbox"/>	<input type="checkbox"/>	<input type="checkbox"/>	



a1: _____
a2: _____
a: _____ mm
b: _____ mm
c: _____ mm

Nome/Name _____

Azienda/Company _____

Via, n./Street, nr. _____

Cap., Città/Postcode, City, Country _____

Telefono/Telephone _____

Fax _____

E-mail _____

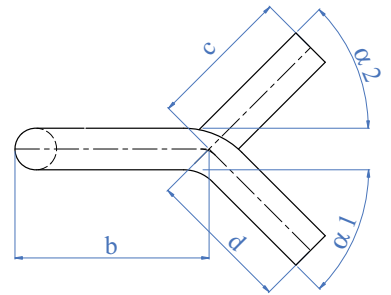
Partita IVA/V.A.T. code _____

PER UN PREVENTIVO COMPILA QUESTA PAGINA E SPEDISCI LA VIA FAX O E-MAIL - FOR A QUOTE, COMPLETE FORM AND SEND TO IND.I.A. BY FAX OR E-MAIL

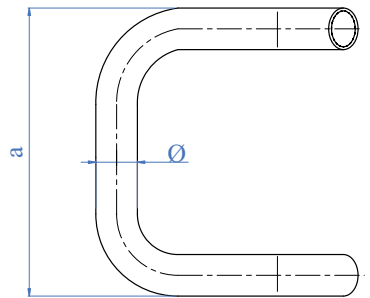
Curvature su 3 Assi - Curves on 3 Axis'

PER UN PREVENTIVO COMPILA QUESTA PAGINA E SPEDISCI LA VIA FAX O E-MAIL - FOR A QUOTE, COMPLETE FORM AND SEND TO IND.I.A. BY FAX OR E-MAIL

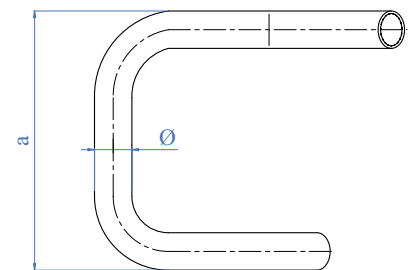
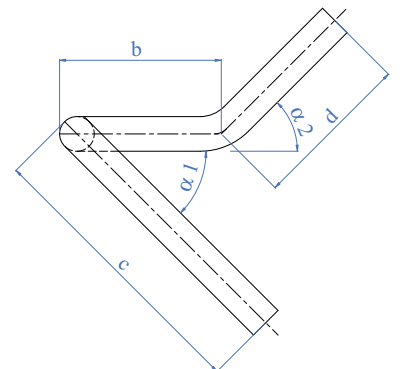
Cod. art. Art. no.	Ø Dia.	AISI 304	AISI 316	IRON	Q.TY
C31	Ø 33,7 x 2,0 mm 1 1/3" dia. x 5/64"	<input type="checkbox"/>	<input type="checkbox"/>	<input type="checkbox"/>	
	Ø 42,4 x 2,0 mm 1 2/3" dia. x 5/64"	<input type="checkbox"/>	<input type="checkbox"/>	<input type="checkbox"/>	
	Ø 48,3 x 2,0 mm 1 7/8" dia. x 5/64"	<input type="checkbox"/>	<input type="checkbox"/>	<input type="checkbox"/>	



a1: _____
 a2: _____
 a: _____ mm
 b: _____ mm
 c: _____ mm
 d: _____ mm



Cod. art. Art. no.	Ø Dia.	AISI 304	AISI 316	IRON	Q.TY
C32	Ø 33,7 x 2,0 mm 1 1/3" dia. x 5/64"	<input type="checkbox"/>	<input type="checkbox"/>	<input type="checkbox"/>	
	Ø 42,4 x 2,0 mm 1 2/3" dia. x 5/64"	<input type="checkbox"/>	<input type="checkbox"/>	<input type="checkbox"/>	
	Ø 48,3 x 2,0 mm 1 7/8" dia. x 5/64"	<input type="checkbox"/>	<input type="checkbox"/>	<input type="checkbox"/>	



Nome/Name _____
 Azienda/Company _____
 Via, n./Street, nr. _____
 Cap., Città/Postcode, City, Country _____

Telefono/Telephone _____
 Fax _____
 E-mail _____
 Partita IVA/V.A.T. code _____